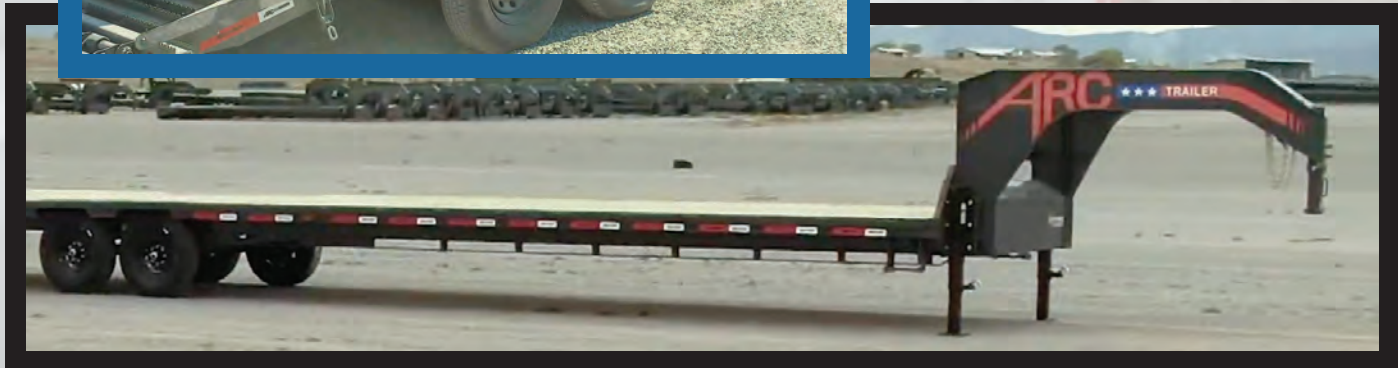




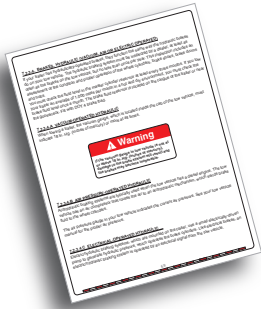
# ARC

☆☆☆ TRAILERS  
OWNER'S MANUAL

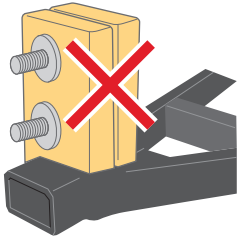


# BEFORE YOU TOW CHECKLIST

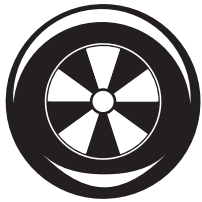
This is a quick start guide



- You must read, follow and **understand all safety** precautions and instructions. Please call ARC Trailers at **(817) 305-7741** with questions.



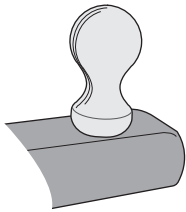
- **Do not modify** or add items to your trailer.



- **Report safety defects.** Look for worn tiers, loose wheels, broken lights, broken mirrors or inoperable brakes.



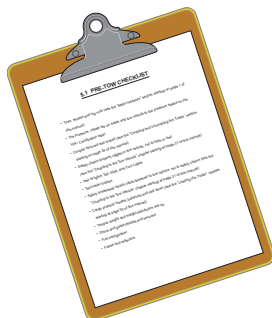
- **Pay attention to the warning labels.** Where there is no model specific figure shown on warnings, use the figure that matches closest to the model of your trailer.



- **Hitch Safety.** Make sure safety chains and electrical connections are secure.



- **Secure your load** to avoid shifting cargo. Make sure the cargo is dispersed correctly and secured. Follow load ratings for your trailer and tow vehicle.



- Make **frequent stops** to check vehicle. Before and during each each tow, refer to the pre-tow checklist in section 5.

# ARC TRAILERS 2026 OWNER'S MANUAL



## Warning

**This User's Manual contains safety information and instructions for your trailer.**

**You must read this manual before loading or towing your trailer.**

**You must follow all safety precautions and instructions.**

ARC-USA PO Box 161206 Fort Worth, TX 76161

(817) 305-7741 Phone

# Table of Contents

## 1.0 GENERAL SAFETY INFORMATION

1.1. Safety Alert Symbols And Signal Words.....	5
1.2. Major Hazards .....	5
1.2.1. Improper Sizing Of The Trailer To The Tow Vehicle.....	6
1.2.2. Driving Too Fast .....	6
1.2.3. Failure To Adjust Driving Behavior When Towing A Trailer.....	7
1.2.4. Trailer Not Properly Coupled To The Hitch . .....	7
1.2.5. Proper Use Of Safety Chains.....	8
1.2.6. Proper Connection Of Breakaway Brake.....	9
1.2.7. Matching Trailer And Hitch.....	9
1.2.8. Worn Tires, Loose Wheels And Lug Nuts.....	9
1.2.9. Improper Loading.....	11
1.2.10 Unsafe Load Distribution .....	11
1.2.11. Shifting Cargo.....	12
1.2.12. Inappropriate Cargo .....	13
1.2.13. Inoperable Brakes, Lights Or Mirrors.....	13
1.2.14. Hazards From Modifying Your Trailer .....	14
1.2.15. Safety Warning Labels On Your Trailer.....	14
1.2.16 Trailer Towing Guide .....	19
1.2.17. Reporting Safety Defects.....	20
1.3. Safe Trailer Towing Guidelines .....	20

## 2.0 TIRE SAFETY INFORMATION

2.1. Steps For Determining Correct Load Limit – Trailer.....	21
2.1.1. Trailers 10,000 Pounds Gvwr Or Less .....	22
2.1.2. Trailers Over 10,000 Pounds GVWR.....	22
(Note: These Trailers Are Not Required To Have a Tire Information Placard on Vehicle)	
2.2. Steps For Determining Correct Load Limit – Tow Vehicle .....	22
2.3. Glossary Of Tire Terminology.....	22
2.4 Tire Safety - Everything Rides On It.....	25
2.4.1 Safety First-Basic Tire Maintenance.....	25
2.4.2 Finding Your Vehicle’s Recommended Tire Pressure & Load Limit.....	26
2.4.3 Understanding Tire Pressure and Load Limits.....	26
2.4.4 Checking Tire Pressure.....	26
2.4.5 Steps For Maintaining Proper Tire Pressure.....	27
2.4.6 Tire Size.....	27
2.4.7 Tire Tread.....	27
2.4.8 Tire Balance & Wheel Alignment.....	27
2.4.9 Tire Repair.....	28
2.4.10 Tire Fundamentals.....	28
2.4.10.1 Information on Passenger Vehicle Tires.....	28
2.4.10.2 UTQGS Information.....	30
2.4.10.3 Additional Information on Light Truck Tires.....	31
2.4.11 Tire Safety Tips.....	31

## 3.0 COUPLING TO THE TOW VEHICLE

3.1 Use An Adequate Tow Vehicle & Hitch.....	31
3.1.1 Trailer Information.....	32
3.2 Coupling and Uncoupling the Trailer.....	34
3.2.2.1 Various Coupler Designs.....	35
3.2.2.2 Trailer With Ball-Hitch Coupler.....	35


3.2.2.3 Prepare the Coupler and Hitch.....	37
3.2.2.4 Coupling the Trailer to the Tow Vehicle.....	38
3.2.2.5 Rig the Safety Chains.....	38
3.2.2.6 Attach and Test Electric Breakaway Brake System.....	39
3.2.2.7 Connect the Electrical Cables.....	40
3.2.2.8 Uncoupling the Ball Hitch Trailer with Tongue Jack.....	41
3.2.3 Trailer with Gooseneck Coupler and Drop-Leg Jack.....	42
3.2.3.1 Prepare the Ball Receiver and Gooseneck Ball.....	45
3.2.3.2 Couple the Trailer to the Tow Vehicle.....	45
3.2.3.3 Rig the Safety Chains.....	47
3.2.3.4 Attach and Test the Breakaway Brake System.....	47
3.2.3.5 Connect the Electrical Cables.....	49
3.2.3.6 Uncoupling the Gooseneck Trailer with Drop-Leg Jack.....	49
<b>4. LOADING THE TRAILER</b>	
4.1 Tongue Weight.....	51
4.2 Checking Tongue Weight.....	52
4.3 Securing the Cargo.....	54
4.3.1 Distributing the Cargo (Open Trailer).....	54
4.3.1.1 Preparing the Trailer for Loading.....	55
4.3.1.2 Loading a Rigid-Deck Trailer.....	55
4.3.1.3 Loading a Pivoting-Deck (Tilt Bed) Trailer.....	56
<b>5. CHECKING THE TRAILER BEFORE AND DURING EACH TOW</b>	
5.1 Pre-Tow Checklist.....	58
5.2 Make Regular Stops.....	58
<b>6. BREAKING-IN A NEW TRAILER</b>	
6.1 Re-tighten Lug Nuts at First 10, 25, & 50 Miles.....	59
6.2 Adjust Brake Shoes at First 200 Miles.....	59
6.3 Synchronizing the Brake System.....	59
<b>7. INSPECTION, SERVICE &amp; MAINTENANCE</b>	
7.1 Inspection, Service & Maintenance Summary Charts.....	60
7.2 Inspection and Service Instructions.....	62
7.2.1 Axle Bolts, Frame, Suspension & Structure.....	62
7.2.2 Trailer Structure.....	62
7.2.2.1 Welds.....	63
7.2.3.1 Brake Shoe and Drums.....	63
7.2.3.2 Manually Adjusting Brake Shoes.....	63
7.2.3.3 Brakes, Electric.....	64
7.2.3.4 Brakes Hydraulic (Vacuum, Air or Electric Operated).....	65
7.2.4 Trailer Connection to Tow Vehicle.....	66
7.2.4.1 Coupler and Ball.....	66
7.2.4.2 Gooseneck.....	66
7.2.4.3 Fifth Wheel Kingpin.....	66
7.2.5 Landing Leg or Jack.....	67
7.2.6 Lights and Signals.....	67
7.2.7 Tires.....	67
7.2.8 Wheel Rims.....	68
7.2.9 Wheels, Bearings and Lug Nuts.....	68
7.2.9.1 Unsealed Bearings (Hubs).....	69
7.2.9.2 Lug Nuts (Bolts).....	69

# 1. General Safety Information

## 1.1 SAFETY ALERT SYMBOLS AND SIGNAL WORDS

An Owner's Manual that provides general trailer information cannot cover all of the specific details necessary for the proper combination of every trailer, tow vehicle and hitch. Therefore, you must read, understand and follow the instructions given by the tow vehicle and trailer hitch manufacturers, as well as the instructions in this manual.

Our trailers are built with components produced by various manufacturers. Some of these items have separate instruction manuals. Where this manual indicates that you should read another manual, and you do not have that manual, call ARC Trailers at (817) 305-7741 for a free copy.

The safety information in this manual is denoted by the safety alert symbol: 

The level of risk is indicated by the following signal words:

**Danger**  
**DANGER - Immediate hazards which WILL result in severe personal injury or death if the warning is ignored****Warning**  
**WARNING - Hazards or unsafe practices which COULD result in severe personal injury or death if the warning is ignored****Caution**  
**CAUTION - Hazards or unsafe practices which could result in minor or moderate injury if the warning is ignored.****Notice**  
**NOTICE - Practices that could result in damage to the trailer or other property.**

## 1.2 MAJOR HAZARDS

Loss of control of the trailer or trailer/tow vehicle combination can result in death or serious injury.

The most common causes for loss of control of the trailer are:

- Improper sizing the trailer for the tow vehicle, or vice versa.
- Excessive Speed: Driving too fast for the conditions.
- Failure to adjust driving behavior when towing a trailer
- Overloading and/or improper weight distribution.
- Improper or mis-coupling of the trailer to the hitch.
- Improper braking and steering under sway conditions.
- Not maintaining proper tire pressure.
- Not keeping lug nuts tight.

**Need Help?**  
Call ARC Trailers  
**(817) 305-7741**

### **1.2.1 IMPROPER SIZING OF THE TRAILER TO THE TOW VEHICLE**

Trailers that weigh too much for the towing vehicle can cause stability problems, which can lead to death or serious injury. Furthermore, the additional strain put on the engine and drive-train may lead to serious tow vehicle maintenance problems. For these reasons the maximum towing capacity of your towing vehicle should not be exceeded. The towing capacity of your tow vehicle, in terms of maximum Gross Trailer Weight (GTW) and maximum Gross Combined Weight Rating (GCWR) can be found in the tow vehicles Owner's Manual.

#### **Danger**

**Use of a tow vehicle with a towing capacity less than the Gross Vehicle Weight Rating of the trailer can result in loss of control, and may lead to death or serious injury.**

**Be sure your hitch and tow vehicle are rated for the Gross Vehicle Weight Rating of your trailer.**

### **1.2.2 DRIVING TOO FAST**

With ideal road conditions, the maximum recommended speed for safely towing a trailer is 60 mph. If you drive too fast, the trailer is more likely to sway, thus increasing the possibility for loss of control. Also your tires may overheat, thus increasing the possibility of a blowout.

#### **Warning**

**Driving too fast for conditions can result in loss of control and cause death or serious injury.**

**Decrease your speed when going downhill or as road, weather and lighting conditions deteriorate.**



### 1.2.3 FAILURE TO ADJUST DRIVING BEHAVIOR WHEN TOWING A TRAILER

When towing a trailer, you will have decreased acceleration, increased stopping distance, and increased turning radius (which means you must make wider turns to keep from hitting curbs, vehicles, and anything else that is on the inside corner). Furthermore the trailer will **change the handling characteristics of your towing vehicle**, making it more sensitive to steering inputs and more likely to be pushed around in windy conditions or when being passed by large vehicles. In addition, you will need a longer distance to pass, due to slower acceleration and increased length. With these caveats in mind:

- Be alert for slippery conditions. You are more likely to be affected by slippery road surfaces when driving a tow vehicle with a trailer, than driving a tow vehicle without a trailer.
- Anticipate the trailer “swaying.” Swaying can be caused by excessive steering, wind gusts, roadway edges, or by the trailer reaction to the pressure wave created by passing trucks and buses.
- When encountering trailer sway take your foot off the gas, and steer as little as possible in order to stay on the road. Use small “trim-like” steering adjustments. Do not attempt to steer out of the sway; you’ll only make it worse. Also do not apply the tow vehicle brakes to correct trailer swaying. On the other hand, application of the trailer brakes alone will tend to straighten out the combination, especially when going downhill.
- Check rearview mirrors frequently to observe the trailer and traffic.
- Use lower gear when driving down steep or long grades. Use the engine and transmission as a brake. Do not ride the brakes, as they can overheat and become ineffective.
- Be aware of your trailer height, especially when approaching bridges, roofed areas and around trees.

### 1.2.4 TRAILER NOT PROPERLY COUPLED TO THE HITCH

It is critical that the trailer be securely coupled to the hitch ball, and that the safety chains and emergency break-away brake cable are correctly attached. Uncoupling may result in death or serious injury to you and to others.

## **Warning**

**Proper selection and condition of the coupler and hitch are essential to safely towing your trailer. A loss of coupling may result in death or serious injury.**

- **Be sure the maximum load rating of the hitch on the tow vehicle is equal to or greater than the maximum load rating of the coupler on the trailer.**
- **Be sure the hitch ball size matches the coupler size.**
- **Observe the hitch for wear, corrosion and cracks before coupling. Replace worn, corroded or cracked hitch components before coupling the trailer to the tow vehicle.**
- **Be sure the hitch components are tight before coupling the trailer to the tow vehicle.**

## **Warning**

An improperly coupled trailer can result in death or serious injury.

Do not move the trailer until:

- The coupler is secured and locked to hitch ball;
- The safety chains are secured to the tow vehicle; and
- The trailer jack(s) are fully retracted

Do not tow the trailer on the road until:

- Tires and wheels are checked;
- The trailer brakes are checked;
- The breakaway switch is connected to the tow vehicle;
- The load is secured to the trailer; and
- The trailer lights are connected and checked

### **1.2.5 PROPER USE OF SAFETY CHAINS**

If your trailer comes loose from the hitch for any reason, we have provided safety chains so that control of the trailer can still be maintained.

Attach the safety chains according to the directions below.

## **Warning**

Improper rigging of the safety chains can result in loss of control of the trailer and tow vehicle, leading to death or serious injury, if the trailer uncouples from the tow vehicle.

- Fasten chains to frame of tow vehicle. Do not fasten chains to any part of the hitch unless the hitch has holes or loops specifically for that purpose.
- Cross chains underneath hitch and coupler with enough slack to permit turning and to hold tongue up, if the trailer comes loose.

## **1.2.6 PROPER CONNECTION OF BREAKAWAY BRAKE**

If equipped with brakes your trailer will be equipped with a breakaway brake system that can apply the brakes on your trailer if your trailer comes loose from the hitch ball for any reason. You will have a separate set of instructions for the breakaway brake if your trailer is so equipped. The breakaway brake system, including battery, must be in good condition and properly rigged to be effective.

### **Warning**

**An ineffective or inoperative breakaway brake system can result in a runaway trailer, leading to death or serious injury, if the coupler or hitch fails.**

**The breakaway cable must be connected to the tow vehicle; and NOT to any part of the hitch. Before towing the trailer, test the function of the breakaway brake system. If the breakaway brake system is not working, do not tow the trailer; have it serviced or repaired.**

## **1.2.7 MATCHING TRAILER AND HITCH**

### **Danger**

**Use of a hitch with a load rating less than the load rating of the trailer can result in loss of control and may lead to death or serious injury**

## **1.2.8 WORN TIRES, LOOSE WHEELS AND LUG NUTS**

Just as with your tow vehicle the trailer tires and wheels are important safety items. Therefore, it is essential to inspect the trailer tires before each tow.

If a tire has a bald spot, bulge, cut, cracks, or is showing any cords, replace the tire before towing. If a tire has uneven tread wear, take the trailer to a dealer service center for diagnosis. Uneven tread wear can be caused by tire imbalance, axle misalignment or incorrect inflation.

Tires with too little tread will not provide adequate frictional forces on wet roadways and can result in loss of control, leading to death or serious injury.

Improper tire pressure causes increased tire wear and may reduce trailer stability, which can result in a tire blowout or possible loss of control. Therefore, before each tow you must also check the tire pressure. Remember, the proper tire pressure is listed on the Certification / VIN label, normally mounted on front left side of the trailer, and should be checked when tires are cold. Allow 3 hours cool down after driving as much as 1 mile at 40 mph before checking tire pressure.

## **Warning**

Improper tire pressure can result in a blowout and loss of control, which can lead to death or serious injury.

Be sure tires are inflated to pressure indicated on the Certification / VIN label before towing trailer.

The tightness of the lug nuts is very important in keeping the wheels properly seated to the hub. Before each tow, check to make sure they are tight.

## **Warning**

Metal creep between the wheel rim and hub may cause lug nuts to loosen and could result in a wheel coming off, leading to death or serious injury. Tighten lug nuts before each tow.



Use a torque wrench to tighten the lug nuts using the crisscross star pattern on page 72. If you do not have a torque wrench, use a lug wrench (from your tow vehicle) and tighten the nuts as much as you can. At the first opportunity, have a service garage or trailer dealer tighten the lug nuts to the proper torque.

Lug nuts are also prone to loosen after first being assembled. When driving a new trailer (or after wheels have been remounted), check to make sure they are tight after the first 10, 25 and 50 miles of driving and before each tow thereafter.

Failure to perform this check can result in a wheel separating from the trailer and a crash, leading to death or serious injury.

## **Warning**

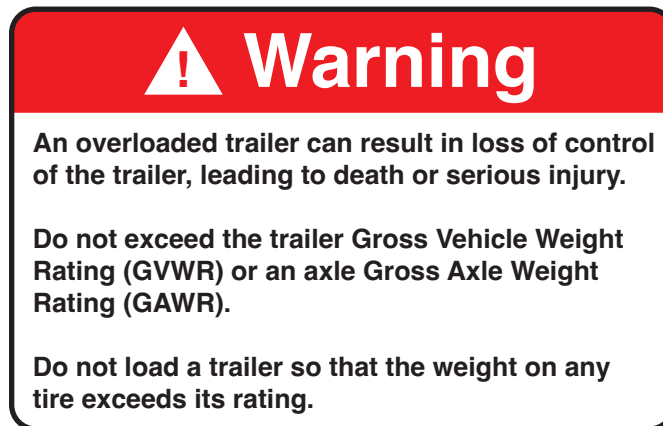
Lug nuts are prone to loosen after initial installation, which can lead to death or serious injury. Check lug nuts for tightness on a new trailer or when wheel(s) have been remounted after the first 10, 25 and 50 miles of driving.

## **Warning**

Improper lug nut torque can cause a wheel separating from the trailer, leading to death or serious injury. Be sure lug nuts are tight before each tow.

### **1.2.9 IMPROPER LOADING**

The total weight of the load you put in or on the trailer, plus the empty weight of the trailer itself, must not exceed the trailer's Gross Vehicle Weight Rating (GVWR). If you do not know the empty weight of the trailer plus the cargo weight, you must weigh the loaded trailer at a commercial scale. In addition, you must distribute the load in the trailer such that the load on any axle does not exceed the Gross Axle Weight Rating (GAWR). If your trailer is equipped with a Tire & Loading Information Placard, mounted next to the Certification / VIN label, the cargo capacity weight stated on that placard is only a close estimate. The GVWR and GAWR's are listed on the Certification / VIN label mounted on the front left side of the trailer.



### **1.2.10 UNSAFE LOAD DISTRIBUTION**

Improper front / rear load distribution can lead to poor trailer sway stability or poor tow vehicle handling. Poor trailer sway stability results from tongue weights that are too low, and poor tow vehicle stability results from tongue weights that are too high. Refer to Chapter heading "Loading the Trailer" for more information. In the table below, the second column shows the rule of thumb percentage of total weight of the trailer plus its cargo (Gross Trailer Weight, or "GTW") that should appear on the tongue of the trailer. For example, a trailer with a gooseneck hitch, with a loaded weight of 12,000 pounds, should have 20-25% of 12,000 pounds (2400-3000 lbs.) on the gooseneck. A dump trailer will have the proper weight distribution if the load is evenly distributed in the dump bed. For non-flowable (discrete) loads locate the load such as to provide the proper tongue weight.

After loading, be sure to check that none of the axles are overloaded.

<b>Tongue Weight as a Percentage of Loaded Trailer Weight</b>	
Type of Hitch	Percentage
Ball Hitch (or Bumper Hitch)	10-15% for large trailers 6-10% for smaller utility and cargo trailers 4-6% for boat trailers
Gooseneck Hitch	20-25%
Fifth Wheel Hitch	

**The numbers quoted above are for example purposes only and should be tailored to the specific trailer. For questions regarding the actual percent of tongue weight for the trailer, check with the manufacturer for specifics**

Uneven left / right load distribution can cause tire, wheel, axle or structural failure. Be sure your trailer is evenly loaded left / right. Towing stability also depends on keeping the center of gravity as low as possible.

**Warning**

Improper tongue weight (load distribution) can result in loss of control of the trailer, leading to death or serious injury. Make certain that tongue weight is within the allowable range.

Be sure to:

- Distribute the load front-to-rear to provide proper tongue weight (see chart). For dump trailers a flowable load should be evenly distributed throughout the bed.
- Distribute the load evenly, right and left.
- Keep the center of gravity low.

### 1.2.11 SHIFTING CARGO

Since the trailer “ride” can be bumpy and rough, you must secure your cargo so that it does not shift while the trailer is being towed.

**Warning**

Shifting cargo can result in loss of control of the trailer, and can lead to death or serious injury. Tie down all loads with proper sized fasteners, ropes, straps, etc.

If the door latch is equipped with a catch that has a hole for a linchpin, use a linchpin to prevent the door latch from opening.

**Warning**

If the door opens, your cargo may be ejected onto the road, resulting in death or serious injury to other drivers. Always secure the door latch after closing. Place a linchpin in the catch.

 Need Help?  
Call ARC Trailers  
(817) 305-7741



### **1.2.12 INAPPROPRIATE CARGO**

Your trailer may be designed for specific cargo, for example, only for horses. If your trailer is designed for specific cargo, only carry that cargo in the trailer. A utility trailer must not be used to carry certain items, such as people, containers of hazardous substances or containers of flammable substances.

#### **! Warning**

**Do not transport people inside the trailer, even if it has living quarters. The transport of people puts their lives at risk and may be illegal.**

#### **! Warning**

**Do not transport flammable, explosive, poisonous or other dangerous materials in your trailer. Exceptions:**

- Fuel in the tanks of vehicles that are being towed
- Fuel stored in proper containers used in trailer living quarters for cooking
- Fuel stored in the tank of an on-board generator

### **1.2.13 INOPERABLE BRAKES, LIGHTS OR MIRRORS**

Be sure that the electric brakes and all of the lights on your trailer are functioning properly before towing your trailer. Electric brakes and lights on a trailer are controlled via a connection to the tow vehicle, generally a multi-pin electrical connector. Check the trailer tail lights by turning on your tow vehicle headlights. Check the trailer brake lights by having someone step on the tow vehicle brake pedal while you look at trailer lights. Do the same thing to check the turn signal lights.

If your trailer has electric brakes, your tow vehicle will have an electric brake controller that sends power to the trailer brakes. Before towing the trailer on the road, you must operate the brake controller while trying to pull the trailer in order to confirm that the electric brakes operate. While towing the trailer at less than 5 mph, manually operate the electric brake controller in the tow vehicle cab. You should feel the operation of the trailer brakes.

#### **! Warning**

**Improper electrical connection between the tow vehicle and the trailer will result in inoperable lights and electric brakes, and can lead to collision. Before each tow:**

- Check that the taillights, brake lights and turn signals work
- Check that the electric brakes work by operating the brake controller inside the tow vehicle

If your trailer has hydraulic “surge” brakes, pull the emergency break-away brake lanyard to check the operation of the surge mechanism.

Standard mirrors usually do not provide adequate visibility for viewing traffic to the sides and rear of a towed trailer. You must provide mirrors that allow you to safely observe approaching traffic.

### **1.2.14 HAZARDS FROM MODIFYING YOUR TRAILER**

Essential safety items can be damaged by altering your trailer. Even simply driving a nail or screw to hang something can damage an electrical circuit, LP gas line or other feature of the trailer. Before making any alteration to your trailer, contact your dealer or ARC Trailers at (817) 305-7741 and describe the alteration you are contemplating. Alteration of the trailer structure or modification of mechanical, electrical, plumbing, heating or other systems on your trailer must be performed only by qualified technicians who are familiar with the system as installed on your trailer.

### **1.2.15 SAFETY WARNING LABELS ON YOUR TRAILER**

Your trailer has safety warning labels located as shown in the Label Location Sample Figure below.

Where there is no model specific figure shown, use the figure that matches closest to the model of your dump trailer.

You can begin looking for your trailer and warning label location images on page 74.

Label Location Sample

#### **Bumper Pull Deckover Model A-BDS Warning Labels and Locations**



① Vin Number

④ Hitch Label

⑥ Warning - Hitch Connection 1

⑧ Warning - Safety Chains

⑫ Warning - Wheel Bearing Service

⑬ Warning - Tire Inflation

# ① Vin Number

MFG. BY / FABRIQUE PAR:		<b>ARC</b>		USA PO Box 161206		DATE: _____	
GVWR / PNBV		KG:	LB:	<b>ARC TRAILERS</b>		(000) 000-0000 TYPE/TYPER: TRAILER	
GVWR / PNBE		TIRES / PNEU.		RIMS / JANTE	COLD INFL. PRESS. / PRESS. DE GONFLA FROID		
FRONT / AVANT :	KG				KPA	SINGLE	DUAL
	LB:				PSI / LPC :		
INTERM. / INTERM. /	KG				KPA	SINGLE	DUAL
	LB:				PSI / LPC :		
REAR / ARRIERE :	KG				KPA	SINGLE	DUAL
	LB:				PSI / LPC :		

THIS VEHICLE CONFORMS TO ALL APPLICABLE U.S. FEDERAL MOTOR VEHICLE SAFETY STANDARDS IN EFFECT ON THE DATE SHOWN ABOVE  
 THIS VEHICLE CONFORMS TO ALL APPLICABLE STANDARDS PRESCRIBED UNDER THE CANADIAN MOTOR VEHICLE SAFETY REGULATIONS  
 IN EFFECT ON THE DATE OF MANUFACTURE.  
 CE VÉHICULE EST CONFORME À TOUTES LES NORMES QUI LUI SONT APPLICABLES EN VERTU DU RÈGLEMENT SUR LA SÉCURITÉ DES  
 VÉHICULES AUTOMOBILES DU CANADA EN VIGUEUR À LA DATE DE SA FABRICATION.

V.I.N./N.I.V. (17 DIGIT VIN NUMBER HERE) (VIN BAR CODE LOCATED HERE)  
 MODEL (MODEL NUMBER LOCATED HERE)

VIN NUMBER HERE)

# ② Tire Placard



## TIRE AND LOADING INFORMATION

The weight of the cargo should never exceed \_\_\_\_\_ lbs.

TIRE	SIZE	COLD TIRE PRESSURE	SEE OWNER'S MANUAL FOR ADDITIONAL INFORMATION
FRONT			
REAR			
SPARE			

Need Help?  
 Call ARC Trailers  
**(817) 305-7741**

③ Warning, Danger, Caution, Notice

⚠ Warning	⚠ Danger	⚠ Caution	⚠ Notice
<p>Serious injury, death and /or property damage can result from misuse of this vehicle.</p> <p>For your safety, familiarize yourself with the instructions and cautions listed to the right.</p>	<p>Never load or unload trailer not properly coupled to the towing vehicle.</p> <p><b>MAKE CERTAIN!</b></p> <ul style="list-style-type: none"> <li>• Coupler hitch and trailer ball are the same size.</li> <li>• Coupler is properly latched.</li> <li>• Safety chains are properly attached to towing vehicle.</li> <li>• Trailer brakes are properly attached and breakaway kit is attached to towing vehicle.</li> <li>• All trailer lights are working properly.</li> </ul>	<p><b>BEFORE TOWING TRAILER, CHECK TO MAKE SURE:</b></p> <ul style="list-style-type: none"> <li>• Wheel lug nuts are properly tightened.</li> <li>• Tires are inflated to pressure indicated on tires..</li> <li>• Jack is retracted.</li> <li>• Load is within trailer capacity and distributed properly to maintain proper tongue weight.</li> <li>• Drive vehicle/equipment onto trailer slowly. High speed loading can result in Injury or death.</li> <li>• Use caution when loading on wet floor surface.</li> <li>• Make sure all pins and latches are secure and load is secured to trailer</li> </ul>	<p>You are required to comply with local and state requirements regarding brakes, licensing, and any additional equipment that might be necessary.</p> <p>Contact your state motor department for more information.</p>

④ Hitch Label (Bumper Pull shown)

**ARC TRAILERS**  
WWW.ARCTRAILERS.COM

DO NOT DESTROY  
THIS LABEL

**GROSS TRAILER WEIGHT 12,500#**  
**MAX. VERT. TONGUE LOAD AT BALL 1,875#**  
**USE ONLY WITH 2 - 5/16" BALL PER SAE J684**  
USE WITH SAFETY CHAINS PER SAE J684

LABEL  
000000  
(7/09)

**ATTENTION**  
CLOSE SECURELY ON BALL AND INSERT PIN BEHIND  
COLLAR AND LOCK BEFORE MOVING TRAILER

**BULLDOG®**

**⚠ WARNING**



Coupler must be **CLOSED** securely before towing

Use 2-5/16" ball **ONLY**

Failure to do so may result in serious injury or death

**⚠ CAUTION**

**TIGHTEN HEX NUT AND BOLT TO 125 MIN FT/LBS BEFORE TOWING**

000000 (B)

## ⑥ Warning - Hitch Connection 1

⚠ WARNING	⚠ WARNING	⚠ WARNING	⚠ WARNING	⚠ WARNING
<p>Uncoupling will cause trailer to come loose from tow vehicle. You must:</p> <ol style="list-style-type: none"> <li>1. CHECK that ball <b>LOAD RATING</b> is same or greater than coupler <b>LOAD RATING</b>.</li> <li>2. CHECK that ball <b>SIZE</b> is same as coupler.</li> <li>3. <b>CLOSE COUPLER CLAMP</b> on ball.</li> <li>4. <b>LIFT</b> coupler upwards to test that it will not separate from ball.</li> <li>5. <b>LOCK</b> sleeve with pin or padlock.</li> </ol>	<p><b>ALWAYS</b> use safety chains. Chains hold trailer if connection fails. You must:</p> <ol style="list-style-type: none"> <li>1. <b>CROSS</b> chains underneath coupler.</li> <li>2. <b>ALLOW</b> slack for trailer to turn.</li> <li>3. <b>ATTACH</b> chain hooks securely to tow vehicle frame.</li> </ol>	<p>Trailer can roll if it comes loose. Electric safety brake applies when cable pulls pin out of switch box. You must:</p> <ol style="list-style-type: none"> <li>1. <b>PULL</b> hard to get pin out of switch box.</li> <li>2. <b>CHECK</b> brake by <b>PULLING TRAILER</b> with tow vehicle.</li> <li>3. <b>ATTACH</b> pin <b>CABLE</b> to tow vehicle so pin will be pulled out if trailer separates.</li> <li>4. Promptly <b>REPLACE</b> pin in switch box.</li> </ol>	<p>Lights can prevent trailer from being hit by other vehicles. You must:</p> <ol style="list-style-type: none"> <li>1. <b>CONNECT</b> trailer and tow vehicle electrical connectors.</li> <li>2. <b>CHECK</b> all lights: tail lights, turn signal, and brake lights.</li> <li>3. <b>DO NOT TOW</b> if lights are not working.</li> </ol>	<p>Tire, wheel or lug nut failure can cause loss of control. Before towing, you must <b>CHECK</b>:</p> <ol style="list-style-type: none"> <li>1. Tire pressure and tread.</li> <li>2. Tires and wheels for damage.</li> <li>3. Lug nuts for tightness.</li> </ol> <p>For new and remounted wheels, re-tighten lug nuts at the first 10, 25 and 50 miles of driving.</p>
<p>© 2002 NATM</p>	<p><b>ATTACH TO TOW VEHICLE FRAME</b></p> <p>ENOUGH SLACK FOR TURNS</p>	<p><b>PIN PULLED OUT, ONLY TO TEST BRAKES</b></p> <p>SWITCH BOX PIN ATTACH CABLE TO TOW VEHICLE FOR TOWING AND STORAGE</p>	<p><b>DISCONNECTED CONNECTED</b></p>	<p>Lug Nuts TIGHT?</p> <p>Tires and Wheels OK?</p> <p>UT0032</p>

## ⑦ Warning - Hitch Connection 2

⚠ WARNING	⚠ WARNING	⚠ WARNING	⚠ WARNING	⚠ WARNING
<p><b>ALWAYS</b> use safety chains. Chains hold trailer if connection fails. You must:</p> <ol style="list-style-type: none"> <li>1. <b>CROSS</b> chains underneath coupler.</li> <li>2. <b>ALLOW</b> slack for trailer to turn.</li> <li>3. <b>ATTACH</b> chain hooks securely to tow vehicle frame.</li> </ol>	<p>Uncoupling will cause trailer to come loose from tow vehicle. You must:</p> <ol style="list-style-type: none"> <li>1. CHECK that ball <b>LOAD RATING</b> is same as or greater than coupler <b>LOAD RATING</b>.</li> <li>2. CHECK that ball <b>SIZE</b> is same as coupler.</li> <li>3. <b>CLOSE COUPLER CLAMP</b> on ball.</li> <li>4. <b>LIFT</b> coupler upwards to test that it will not separate from ball.</li> <li>5. <b>LOCK</b> coupler clamp with pin or padlock.</li> </ol>	<p>Trailer can roll if it comes loose. Safety brake applies when chain pulls brake lever. You must:</p> <ol style="list-style-type: none"> <li>1. <b>ATTACH</b> brake <b>CHAIN</b> securely to tow vehicle so lever will be pulled if trailer separates.</li> <li>2. <b>CHECK</b> brake fluid level.</li> <li>3. <b>DO NOT TOW</b> trailer if brake fluid is <b>NOT FULL</b>.</li> </ol>	<p>Lights can prevent trailer from being hit by other vehicles. You must:</p> <ol style="list-style-type: none"> <li>1. <b>CONNECT</b> trailer and tow vehicle electrical connectors.</li> <li>2. <b>CHECK</b> all lights: tail lights, turn signal, and brake lights.</li> <li>3. <b>DO NOT TOW</b> if lights are not working.</li> </ol>	<p>Tire, wheel or lug nut failure can cause loss of control. Before towing, you must <b>CHECK</b>:</p> <ol style="list-style-type: none"> <li>1. Tire pressure and tread.</li> <li>2. Tires and wheels for damage.</li> <li>3. Lug nuts for tightness.</li> </ol> <p>For new and remounted wheels, re-tighten lug nuts at the first 10, 25 and 50 miles of driving.</p>
<p><b>ATTACH HOOKS TO TOW VEHICLE FRAME</b></p> <p>CROSS CHAINS ENOUGH SLACK FOR TURNS</p> <p>© 2002 NATM</p>	<p><b>Open clamp Closed clamp</b></p> <p>Pin or padlock in place LIFT coupler to check</p>	<p><b>Attach To Tow Vehicle Break-away Brake Chain Check Fluid Level</b></p>	<p><b>DISCONNECTED CONNECTED</b></p>	<p>Lug Nuts TIGHT?</p> <p>Tires and Wheels OK?</p> <p>UT0031</p>

## ⑧ Warning - Safety Chains

**ATTACH TO TOW VEHICLE FRAME**

# WARNING

**ENOUGH SLACK FOR TURNS**

**ALWAYS** attach safety chains. Chains hold trailer if connection fails.

You must:

1. **ATTACH** chains securely to tow vehicle frame.
2. **ALLOW** slack for trailer to turn.
3. **CROSS** chains underneath coupler.

## ⑨ Warning - Load Balance

# WARNING

Improper loading can cause trailer sway and sudden loss of control. You must:

- Make certain weight of load plus trailer weight does not exceed trailer's capacity (GVWR-Gross Vehicle Weight Rating).
- Load heavier items in front of wheels.
- Load evenly side to side.
- **SECURE** load to trailer.

©2002 NATM

UT0017

## ⑩ Inspection

A	B	C	D	E		
JAN	FEB	MAR	APR	MAY	JUN	25 26
JUL	AUG	SEP	OCT	NOV	DEC	27 28
1	2	3	4	5	6	7 8
9	10	11	12	13	14	15 16
17	18	19	20	21	22	23 24
25	26	27	28	29	30	31

## ⑪ Warning - Pinch Point



## ⑬ Warning - Wheel Bearing Service



This trailer equipped with  
**E-Z Lube**

Use only **LITHIUM COMPLEX** NLGI CONSISTENCY #2 GREASE

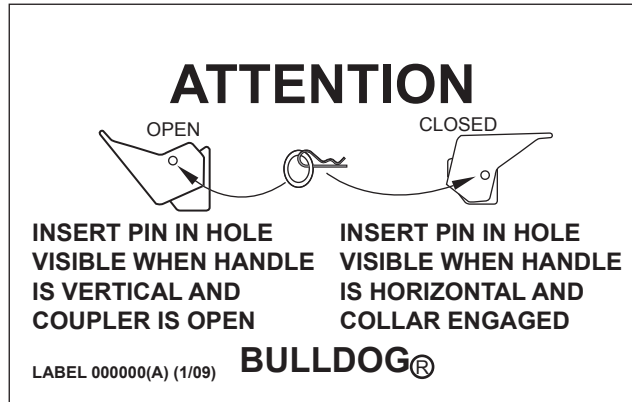
Other types of grease may not be compatible.

These hubs and bearings have been lubricated at the factory. The bearings can be periodically lubricated without removing the hubs. Simply remove the rubber plug, attach a grease gun to the grease fitting, apply grease until new grease comes out around the slotted spindle nut. Wipe off any excess and reinstall the rubber plug.

## ⑬ Warning - Tire Inflation

### **WARNING:**

**Always inflate cold tire to max pressure (PSI)  
as listed on tire sidewall.**



## **1.2.16 TRAILER TOWING GUIDE**

Driving a vehicle with a trailer in tow is vastly different from driving the same vehicle without a trailer in tow. Acceleration, maneuverability and braking are all diminished with a trailer in tow. It takes longer to get up to speed; you need more room to turn and pass, and more distance to stop when towing a trailer. You will need to spend time adjusting to the different feel and maneuverability of the tow vehicle with a loaded trailer. Because of the significant differences in all aspects of maneuverability when towing a trailer, the hazards and risks of injury are also much greater than when driving without a trailer. You are responsible for keeping your vehicle and trailer in control, and for all the damage that is caused if you lose control of your vehicle and trailer.

As you did when learning to drive an automobile, find an open area with little or no traffic for your first practice trailering. Of course, before you start towing the trailer, you must follow all of the instructions for inspection, testing, loading and coupling. Also, before you start towing, adjust the mirrors so you can see the trailer as well as the area to the rear of it.

Drive slowly at first, 5 mph or so, and turn the wheel to get the feel of how the tow vehicle and trailer combination responds. Next, make some right and left hand turns. Watch in your side mirrors to see how the trailer follows the tow vehicle. Turning with a trailer attached requires more room.

Stop the rig a few times from speeds no greater than 10 mph. If your trailer is equipped with brakes, try using different combinations of trailer/electric brake and tow vehicle brake. Note the effect that the trailer brakes have when they are the only brakes used. When properly adjusted, the trailer brakes will come on just before the tow vehicle brakes.

It will take practice to learn how to back up a tow vehicle with a trailer attached. Take it slow. Before backing up, get out of the tow vehicle and look behind the trailer to make sure that there are no obstacles. Some drivers place their hands at the bottom of the steering wheel, and while the tow vehicle is in reverse, “think” of the hands as being on the top of the wheel. When the hands move to the right (counter-clockwise, as you would do to turn the tow vehicle to the left when moving forward), the rear of the trailer moves to the right. Conversely, rotating the steering wheel clockwise with your hands at the bottom of the wheel will move the rear of the trailer to the left, while backing up. If you are towing a bumper hitch rig, be careful not to allow the trailer to turn too much, because it will hit the rear of the tow vehicle. To straighten the rig, either pull forward, or turn the steering wheel in the opposite direction.

### **1.2.17 REPORTING SAFETY DEFECTS**

If you believe that your vehicle has a defect that could cause a crash or could cause injury or death, you should immediately inform the National Highway Traffic Safety Administration (NHTSA) in addition to notifying ARC Trailers.

If NHTSA receives similar complaints, it may open an investigation, and if it finds that a safety defect exists in a group of vehicles, it may order a recall and remedy campaign. However, NHTSA cannot become involved in individual problems between you, your dealer, or ARC Trailers.

To contact NHTSA, you may either call the Vehicle Safety Hotline toll-free at 1-888-327-4236 (TTY: 1-800-424-9153), go to <http://www.safercar.gov>; or write to: Administrator, NHTSA, 1200 New Jersey Avenue, S.E. Washington, DC 20590. You can also obtain other information about motor vehicle safety from <http://www.safercar.gov>. Call (817) 305-7741 to reach ARC Trailers.

### **1.3. SAFE TRAILER TOWING GUIDE**

- Recheck the load tiedowns to make sure the load will not shift during towing.
- Before towing, check coupling, safety chain, safety brake, tires, wheels and lights.
- Check the lug nuts or bolts for tightness.
- Check coupler tightness after towing 50 miles.
- Adjust the brake controller to engage the trailer brakes before the tow vehicle brakes. Follow the instructions given with the brake controller manufacturer's literature.
- Use your mirrors to verify that you have room to change lanes or pull into traffic.
- Use your turn signals well in advance.
- Allow plenty of stopping space for your trailer and tow vehicle.
- Do not drive so fast that the trailer begins to sway due to speed. Generally never drive faster than 60 m.p.h.
- Allow plenty of room for passing. A rule of thumb is that the passing distance with a trailer is 4 times the passing distance without a trailer.
- Shift your automatic transmission into a lower gear for city driving.
- Use lower gears for climbing and descending grades.
- Do not ride the brakes while descending grades, they may get so hot that they stop working. Then you will potentially have a runaway tow vehicle and trailer.
- To conserve fuel, don't use full throttle to climb a hill. Instead, build speed on the approach.
- Slow down for bumps in the road. Take your foot off the brake when crossing the bump.
- Do not brake while in a curve unless absolutely necessary. Instead, slow down before you enter the curve.
- Do not apply the tow vehicle brakes to correct extreme trailer swaying. Instead, lightly apply the trailer brakes with the hand controller.
- Make regular stops, about once each hour. Confirm that:
  - The coupler is secure to the hitch and is locked.
  - Electrical connectors are made.
  - There is appropriate slack in the safety chains.
  - There is appropriate slack in the breakaway switch pullpin cable.
  - The tires are not visibly low on pressure.
  - The cargo is secure and in good condition.

# 2. Tire Safety Information

This portion of the User’s Manual contains tire safety information as required by 49 CFR 575.6.

Section 2.1 contains “Steps for Determining Correct Load Limit - Trailer”.


Section 2.2 contains “Steps for Determining Correct Load Limit – Tow Vehicle”.

Section 2.3 contains a Glossary of Tire Terminology, including “cold inflation pressure”, “maximum inflation pressure”, “recommended inflation pressure”, and other non-technical terms.

Section 2.4 contains information from the NHTSA brochure entitled “Tire Safety – Everything Rides On It”. This brochure describes the following items;

- Tire labeling, including a description and explanation of each marking on the tires, and information about the DOT Tire Identification Number (TIN).
- Recommended tire inflation pressure, including a description and explanation of:
  - A. Cold inflation pressure.
  - B. Vehicle Placard and location on the vehicle.
  - C. Adverse safety consequences of under inflation (including tire failure).
  - D. Measuring and adjusting air pressure for proper inflation.
- Tire Care, including maintenance and safety practices.
- Vehicle load limits, including a description and explanation of the following items:
  - A. Locating and understanding the load limit information, total load capacity, and cargo capacity.
  - B. Calculating total and cargo capacities with varying seating configurations including quantitative examples showing / illustrating how the vehicles cargo and luggage capacity decreases as combined number and size of occupants’ increases. This item is also discussed in Section 3.
  - C. Determining compatibility of tire and vehicle load capabilities.
  - D. Adverse safety consequences of overloading on handling and stopping on tires.

## 2.1. STEPS FOR DETERMINING CORRECT LOAD LIMIT - TRAILER



### TIRE AND LOADING INFORMATION

The weight of cargo should never exceed \_\_\_\_\_ kg. or \_\_\_\_\_ lbs.

TIRE	SIZE	COLD TIRE PRESSURE	<b>SEE OWNER'S MANUAL FOR ADDITIONAL INFORMATION</b>
FRONT	20.5 X 8.0-10(E)	621KPA, 90PSI	
REAR			
SPARE	NONE		

### **2.1.1 TRAILERS 10,000 POUNDS GVWR OR LESS**

1. Locate the statement, "The weight of cargo should never exceed XXX kg or XXX lbs.," on your vehicle's placard. See figure 1-1 at the bottom of the previous page.
2. This figure equals the available amount of cargo and luggage load capacity.
3. Determine the combined weight of luggage and cargo being loaded on the vehicle. That weight may not safely exceed the available cargo and luggage load capacity.

The trailer's placard refers to the Tire Information Placard attached adjacent to or near the trailer's VIN (Certification) label at the left front of the trailer.

*Note: The following calculations in Sections 2.1.2 and 2.2 are not required by the government. For the purpose of completeness, NATM has included these statements.*

### **2.1.2 TRAILERS OVER 10,000 POUNDS GVWR (NOTE: THESE TRAILERS ARE NOT INFORMATION PLACARD ON THE VEHICLE) REQUIRED TO HAVE A TIRE**

1. Determine the empty weight of your trailer by weighing the trailer using a public scale or other means. This step does not have to be repeated.
2. Locate the GVWR (Gross Vehicle Weight Rating) of the trailer on your trailer's VIN (Certification) label.
3. Subtract the empty weight of your trailer from the GVWR stated on the VIN label. That weight is the maximum available cargo capacity of the trailer and may not be safely exceeded.

### **2.2. STEPS TO DETERMINING CORRECT LOAD LIMIT - TOW VEHICLE**

1. Locate the statement, "The combined weight of occupants and cargo should never exceed XXX lbs.," on your vehicle's placard.
2. Determine the combined weight of the driver and passengers who will be riding in your vehicle.
3. Subtract the combined weight of the driver and passengers from XXX kilograms or XXX pounds.
4. The resulting figure equals the available amount of cargo and luggage capacity. For example, if the "XXX" amount equals 1400 lbs. and there will be five 150 lb. passengers in your vehicle, the amount of available cargo and luggage capacity is 650 lbs. (1400-750 (5 x 150) = 650 lbs.).
5. Determine the combined weight of luggage and cargo being loaded on the vehicle. That weight may not safely exceed the available cargo and luggage capacity calculated in Step # 4.
6. If your vehicle will be towing a trailer, load from your trailer will be transferred to your vehicle. Consult the tow vehicle's manual to determine how this weight transfer reduces the available cargo and luggage capacity of your vehicle.

### **2.3. GLOSSARY OF TIRE TERMINOLOGY**

**Accessory Weight** - The combined weight (in excess of those standard items which may be replaced) of automatic transmission, power steering, power brakes, power windows, power seats, radio and heater, to the extent that these items are available as factory-installed equipment (whether installed or not).

**Bead** - The part of the tire that is made of steel wires, wrapped or reinforced by ply cords and that is shaped to fit the rim.

**Bead separation** - This is the breakdown of the bond between components in the bead.

**Bias ply tire** - A pneumatic tire in which the ply cords that extend to the beads are laid at alternate angles substantially less than 90 degrees to the centerline of the tread.

**Carcass** - The tire structure, except tread and sidewall rubber which, when inflated, bears the load.

**Chunking** - The breaking away of pieces of the tread or sidewall.

**Cold inflation pressure** - The pressure in the tire before you drive.

**Cord** - The strands forming the plies in the tire.

**Cord separation** - The parting of cords from adjacent rubber compounds.

**Cracking** - Any parting within the tread, sidewall, or inner liner of the tire extending to cord material.

**CT** - A pneumatic tire with an inverted flange tire and rim system in which the rim is designed with rim flanges pointed radially inward and the tire is designed to fit on the underside of the rim in a manner that encloses the rim flanges inside the air cavity of the tire.

**Curb weight** - The weight of a motor vehicle with standard equipment including the maximum capacity of fuel, oil, and coolant, and, if so equipped, air conditioning and additional weight optional engine.

**Extra load tire** - A tire designed to operate at higher loads and at higher inflation pressures than the corresponding standard tire.

**Groove** - The space between two adjacent tread ribs.

**Innerliner** - The layer(s) forming the inside surface of a tubeless tire that contains the inflating medium within the tire.

**Innerliner separation** - The parting of the innerliner from cord material in the carcass.

**Intended outboard sidewall** - The sidewall that contains a white-wall, bears white lettering or bears manufacturer, brand, and/or model name molding that is higher or deeper than the same molding on the other sidewall of the tire or the outward facing sidewall of an asymmetrical tire that has a particular side that must always face outward when mounted on a vehicle.

**Light truck (LT) tire** - A tire designated by its manufacturer as primarily intended for use on lightweight trucks or multipurpose passenger vehicles.

**Load rating** - The maximum load that a tire is rated to carry for a given inflation pressure.

**Maximum load rating** - The load rating for a tire at the maximum permissible inflation pressure for that tire.

**Maximum permissible inflation pressure** - The maximum cold inflation pressure to which a tire may be inflated.

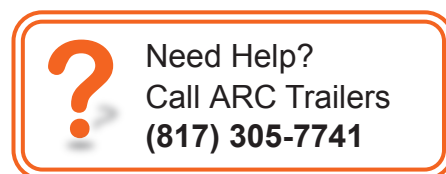
**Maximum loaded vehicle weight** - The sum of curb weight, accessory weight, vehicle capacity weight, and production options weight.

**Measuring rim** - The rim on which a tire is fitted for physical dimension requirements.

**Non-pneumatic rim** - A mechanical device which, when a non-pneumatic tire assembly incorporates a wheel, supports the tire, and attaches, either integrally or separably, to the wheel center member and upon which the tire is attached.

**Non-pneumatic spare tire assembly** - A non-pneumatic tire assembly intended for temporary use in place of one of the pneumatic tires and rims that are fitted to a passenger car in compliance with the requirements of this standard.

**Non-pneumatic tire** - A mechanical device which transmits, either directly or through a wheel or wheel center member, the vertical load and tractive forces from the roadway to the vehicle, generates the tractive forces that provide the directional control of the vehicle and does not rely on the containment of any gas or fluid for providing those functions.



**Non-pneumatic tire assembly** - A non-pneumatic tire, alone or in combination with a wheel or wheel center member, which can be mounted on a vehicle.

**Normal occupant weight** - This means 68 kilograms (150 lbs.) times the number of occupants specified in the second column of Table I of 49 CFR 571.110.

**Occupant distribution** - The distribution of occupants in a vehicle as specified in the third column of Table I of 49 CFR 571.110.

**Open splice** - Any parting at any junction of tread, sidewall, or innerliner that extends to cord material.

**Outer diameter** - The overall diameter of an inflated new tire.

**Overall width** - The linear distance between the exteriors of the sidewalls of an inflated tire, including elevations due to labeling, decorations, or protective bands or ribs.

**Ply** - A layer of rubber-coated parallel cords.

**Ply separation** - A parting of rubber compound between adjacent plies.

**Pneumatic tire** - A mechanical device made of rubber, chemicals, fabric and steel or other materials, that, when mounted on an automotive wheel, provides the traction and contains the gas or fluid that sustains the load.

**Production options weight** - The combined weight of those installed regular production options weighing over 2.3 kilograms (5 lbs.) in excess of those standard items which they replace, not previously considered in curb weight or accessory weight, including heavy duty brakes, ride levelers, roof rack, heavy duty battery, and special trim.

**Radial ply tire** - A pneumatic tire in which the ply cords that extend to the beads are laid at substantially 90 degrees to the centerline of the tread.

**Recommended inflation pressure** - This is the inflation pressure provided by the vehicle manufacturer on the Tire Information label and on the Certification / VIN tag.

**Reinforced tire** - A tire designed to operate at higher loads and at higher inflation pressures than the corresponding standard tire.

**Rim** - A metal support for a tire or a tire and tube assembly upon which the tire beads are seated.

**Rim diameter** - This means the nominal diameter of the bead seat.

**Rim size designation** - This means the rim diameter and width.

**Rim type designation** - This means the industry of manufacturer's designation for a rim by style or code.

**Rim width** - This means the nominal distance between rim flanges.

**Section width** - The linear distance between the exteriors of the sidewalls of an inflated tire, excluding elevations due to labeling, decoration, or protective bands.

**Sidewall** - That portion of a tire between the tread and bead.

**Sidewall separation** - The parting of the rubber compound from the cord material in the sidewall.

**Special Trailer (ST) tire** - The "ST" is an indication the tire is for trailer use only.

**Test rim** - The rim on which a tire is fitted for testing, and may be any rim listed as appropriate for use with that tire.

**Tread** - That portion of a tire that comes into contact with the road.

**Tread rib** - A tread section running circumferentially around a tire.

**Tread separation** - Pulling away of the tread from the tire carcass.

**Treadwear indicators (TWI)** - The projections within the principal grooves designed to give a visual indication of the degrees of wear of the tread.

**Vehicle capacity weight** - The rated cargo and luggage load plus 68 kilograms (150 lbs.) times the vehicle's designated seating capacity.

**Vehicle maximum load on the tire** - The load on an individual tire that is determined by distributing to each axle its share of the maximum loaded vehicle weight and dividing by two.

**Vehicle normal load on the tire** - The load on an individual tire that is determined by distributing to each axle its share of the curb weight, accessory weight, and normal occupant weight (distributed in accordance with Table I of CRF 49 571.110) and dividing by 2.

**Weather side** - The surface area of the rim not covered by the inflated tire.

**Wheel center member** - In the case of a non-pneumatic tire assembly incorporating a wheel, a mechanical device which attaches, either integrally or separably, to the non-pneumatic rim and provides the connection between the non-pneumatic rim and the vehicle; or, in the case of a nonpneumatic tire assembly not incorporating a wheel, a mechanical device which attaches, either integrally or separably, to the non-pneumatic tire and provides the connection between tire and the vehicle.

**Wheel-holding fixture** - The fixture used to hold the wheel and tire assembly securely during testing.

## **2.4. TIRE SAFETY - EVERYTHING RIDES ON IT**

The National Highway Traffic Safety Administration (NHTSA) has published a brochure (DOT HS 809 361) that discusses all aspects of Tire Safety, as required by CFR 575.6. This brochure is reproduced in part below. It can be obtained and downloaded from NHTSA, free of charge, from the following web site: [http://www.nhtsa.dot.gov/cars/rules/TireSafety/ridesonit/tires\\_index.html](http://www.nhtsa.dot.gov/cars/rules/TireSafety/ridesonit/tires_index.html)

Studies of tire safety show that maintaining proper tire pressure, observing tire and vehicle load limits (not carrying more weight in your vehicle than your tires or vehicle can safely handle), avoiding road hazards, and inspecting tires for cuts, slashes, and other irregularities are the most important things you can do to avoid tire failure, such as tread separation or blowout and flat tires. These actions, along with other care and maintenance activities, can also:

- Improve vehicle handling
- Help protect you and others from avoidable breakdowns and accidents
- Improve fuel economy
- Increase the life of your tires.

This booklet presents a comprehensive overview of tire safety, including information on the following topics:

- Basic tire maintenance
- Uniform Tire Quality Grading System
- Fundamental characteristics of tires
- Tire safety tips

Use this information to make tire safety a regular part of your vehicle maintenance routine. Recognize that the time you spend is minimal compared with the inconvenience and safety consequences of a flat tire or other tire failure.

### **2.4.1 SAFETY FIRST - BASIC TIRE MAINTENANCE**

Properly maintained tires improve the steering, stopping, traction, and load-carrying capability of your vehicle. Underinflated tires and overloaded vehicles are a major cause of tire failure. Therefore, as mentioned above, to avoid flat tires and other types of tire failure, you should maintain proper tire pressure, observe tire and vehicle load limits, avoid road hazards, and regularly inspect your tires.

## **2.4.2. FINDING YOUR VEHICLE'S RECOMMENDED TIRE PRESSURE AND LOAD LIMITS**

Tire information placards and vehicle certification labels contain information on tires and load limits. These labels indicate the vehicle manufacturer's information including:

- Recommended tire size
- Recommended tire inflation pressure
- Vehicle capacity weight (VCW—the maximum occupant and cargo weight a vehicle is designed to carry)
- Front and rear gross axle weight ratings (GAWR—the maximum weight the axle systems are designed to carry).

Both placards and certification labels are permanently attached to the trailer near the left front.

## **2.4.3. UNDERSTANDING TIRE PRESSURE AND LOAD LIMITS**

Tire inflation pressure is the level of air in the tire that provides it with load-carrying capacity and affects the overall performance of the vehicle. The tire inflation pressure is a number that indicates the amount of air pressure—measured in pounds per square inch (psi)—a tire requires to be properly inflated. (You will also find this number on the vehicle information placard expressed in kilopascals (kPa), which is the metric measure used internationally.)

Manufacturers of passenger vehicles and light trucks determine this number based on the vehicle's design load limit, that is, the greatest amount of weight a vehicle can safely carry and the vehicle's tire size. The proper tire pressure for your vehicle is referred to as the "recommended cold inflation pressure." (As you will read below, it is difficult to obtain the recommended tire pressure if your tires are not cold.)

Because tires are designed to be used on more than one type of vehicle, tire manufacturers list the "maximum permissible inflation pressure" on the tire sidewall. This number is the greatest amount of air pressure that should ever be put in the tire under normal driving conditions.

## **2.4.4. CHECKING TIRE PRESSURE**

It is important to check your vehicle's tire pressure at least once a month for the following reasons:

- Most tires may naturally lose air over time.
- Tires can lose air suddenly if you drive over a pothole or other object or if you strike the curb when parking.
- With radial tires, it is usually not possible to determine underinflation by visual inspection.

For convenience, purchase a tire pressure gauge to keep in your vehicle. Gauges can be purchased at tire dealerships, auto supply stores, and other retail outlets.

The recommended tire inflation pressure that vehicle manufacturers provide reflects the proper psi when a tire is cold. The term cold does not relate to the outside temperature. Rather, a cold tire is one that has not been driven on for at least three hours. When you drive, your tires get warmer, causing the air pressure within them to increase. Therefore, to get an accurate tire pressure reading, you must measure tire pressure when the tires are cold or compensate for the extra pressure in warm tires.

### **2.4.5. STEPS FOR MAINTAINING PROPER TIRE PRESSURE**

- Step 1: Locate the recommended tire pressure on the vehicle's tire information placard, certification label, or in the owner's manual.
- Step 2: Record the tire pressure of all tires.
- Step 3: If the tire pressure is too high in any of the tires, slowly release air by gently pressing on the tire valve stem with the edge of your tire gauge until you get to the correct pressure.
- Step 4: If the tire pressure is too low, note the difference between the measured tire pressure and the correct tire pressure. These "missing" pounds of pressure are what you will need to add.
- Step 5: At a service station, add the missing pounds of air pressure to each tire that is underinflated.
- Step 6: Check all the tires to make sure they have the same air pressure (except in cases in which the front and rear tires are supposed to have different amounts of pressure).

If you have been driving your vehicle and think that a tire is underinflated, fill it to the recommended cold inflation pressure indicated on your vehicle's tire information placard or certification label. While your tire may still be slightly underinflated due to the extra pounds of pressure in the warm tire, it is safer to drive with air pressure that is slightly lower than the vehicle manufacturer's recommended cold inflation pressure than to drive with a significantly underinflated tire. Since this is a temporary fix, don't forget to recheck and adjust the tire's pressure when you can obtain a cold reading.

### **2.4.6. TIRE SIZE**

To maintain tire safety, purchase new tires that are the same size as the vehicle's original tires or another size recommended by the manufacturer. Look at the tire information placard, the owner's manual, or the sidewall of the tire you are replacing to find this information. If you have any doubt about the correct size to choose, consult with the tire dealer.

### **2.4.7. TIRE TREAD**

The tire tread provides the gripping action and traction that prevent your vehicle from slipping or sliding, especially when the road is wet or icy. In general, tires are not safe and should be replaced when the tread is worn down to 1/16 of an inch. Tires have built-in treadwear indicators that let you know when it is time to replace your tires. These indicators are raised sections spaced intermittently in the bottom of the tread grooves. When they appear "even" with the outside of the tread, it is time to replace your tires. Another method for checking tread depth is to place a penny in the tread with Lincoln's head upside down and facing you. If you can see the top of Lincoln's head, you are ready for new tires.

### **2.4.8. TIRE BALANCE AND WHEEL ALIGNMENT**

To avoid vibration or shaking of the vehicle when a tire rotates, the tire must be properly balanced. This balance is achieved by positioning weights on the wheel to counterbalance heavy spots on the wheel-and-tire assembly. A wheel alignment adjusts the angles of the wheels so that they are positioned correctly relative to the vehicle's frame. This adjustment maximizes the life of your tires. These adjustments require special equipment and should be performed by a qualified technician.

## 2.4.9. TIRE REPAIR

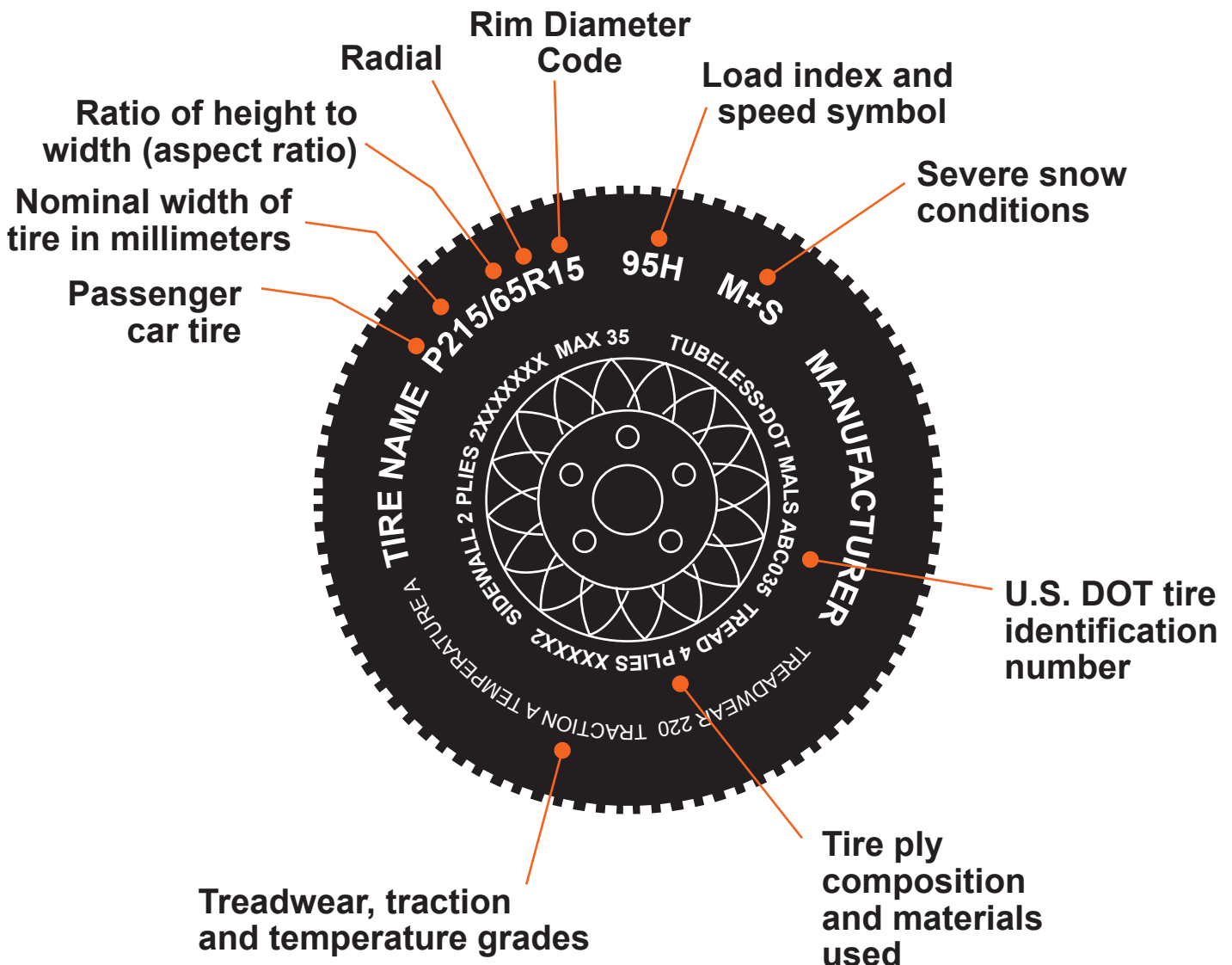
The proper repair of a punctured tire requires a plug for the hole and a patch for the area inside the tire that surrounds the puncture hole. Punctures through the tread can be repaired if they are not too large, but punctures to the sidewall should not be repaired. Tires must be removed from the rim to be properly inspected before being plugged and patched.

## 2.4.10. TIRE FUNDAMENTALS

Federal law requires tire manufacturers to place standardized information on the sidewall of all tires. This information identifies and describes the fundamental characteristics of the tire and also provides a tire identification number for safety standard certification and in case of a recall.

### 2.4.10.1. INFORMATION ON PASSENGER VEHICLE TIRES

Please refer to the diagram below.



The “P” indicates the tire is for passenger vehicles.

**Next number**

This three-digit number gives the width in millimeters of the tire from sidewall edge to sidewall edge. In general, the larger the number, the wider the tire.

**Next number**

This two-digit number, known as the aspect ratio, gives the tire’s ratio of height to width. Numbers of 70 or lower indicate a short sidewall for improved steering response and better overall handling on dry pavement. The “R” stands for radial. Radial ply construction of tires has been the industry standard for the past 20 years.

**Next number**

This two-digit number is the wheel or rim diameter in inches. If you change your wheel size, you will have to purchase new tires to match the new wheel diameter.

**Next number**

This two- or three-digit number is the tire’s load index. It is a measurement of how much weight each tire can support. You may find this information in your owner’s manual. If not, contact a local tire dealer. Note: You may not find this information on all tires because it is not required by law.

**M+S**

The “M+S” or “M/S” indicates that the tire has some mud and snow capability. Most radial tires have these markings; hence, they have some mud and snow capability.

**Speed Rating**

The speed rating denotes the speed at which a tire is designed to be driven for extended periods of time. The ratings range from 99 miles per hour (mph) to 186 mph. These ratings are listed below.

Note: You may not find this information on all tires because it is not required by law.

Letter Rating	Speed Rating
Q	99MPH
R	106MPH
S	112 MPH
T	118 MPH
U	124 MPH
H	130 MPH
V	149 MPH
W	168 MPH
Y	186 MPH

\* For tires with a maximum speed capability over 149 mph, tire manufacturers sometimes use the letters ZR. For those with a maximum speed capability over 186 mph, tire manufacturers always use the letters ZR.

**U.S. DOT Tire Identification Number**

This begins with the letters “DOT” and indicates that the tire meets all federal standards. The next two numbers or letters are the plant code where it was manufactured, and the last four numbers represent the week and year the tire was built. For example, the numbers 3197 means the 31st week of 1997. The other numbers are marketing codes used at the manufacturer’s discretion. This information is used to contact consumers if a tire defect requires a recall.



## Tire Ply Composition and Materials Used

The number of plies indicates the number of layers of rubber-coated fabric in the tire. In general, the greater the number of plies, the more weight a tire can support. Tire manufacturers also must indicate the materials in the tire, which include steel, nylon, polyester, and others.

## Maximum Load Rating

This number indicates the maximum load in kilograms and pounds that can be carried by the tire. Maximum Permissible Inflation Pressure This number is the greatest amount of air pressure that should ever be put in the tire under normal driving conditions.

### 2.4.10.2. UTQGS INFORMATION

#### Treadwear Number

This number indicates the tire's wear rate. The higher the treadwear number is, the longer it should take for the tread to wear down. For example, a tire graded 400 should last twice as long as a tire graded 200.

#### Traction Letter

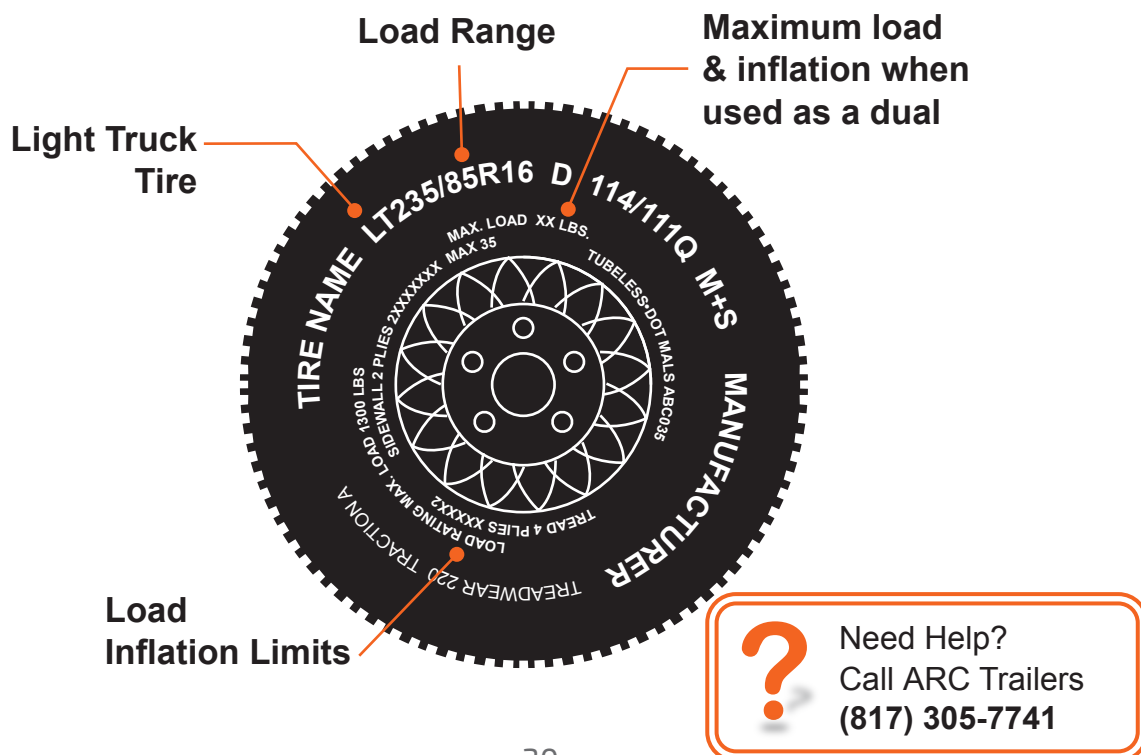
This letter indicates a tire's ability to stop on wet pavement. A higher graded tire should allow you to stop your car on wet roads in a shorter distance than a tire with a lower grade. Traction is graded from highest to lowest as "AA", "A", "B", and "C".

#### Temperature Letter

This letter indicates a tire's resistance to heat. The temperature grade is for a tire that is inflated properly and not overloaded. Excessive speed, underinflation or excessive loading, either separately or in combination, can cause heat build-up and possible tire failure. From highest to lowest, a tire's resistance to heat is graded as "A", "B", or "C".

#### Tire Safety Information

2.4.10.3. Additional Information on Light Truck Tires. Please refer to the diagram below.



Tires for light trucks have other markings besides those found on the sidewalls of passenger tires.

### **LT**

The “LT” indicates the tire is for light trucks or trailers.

### **ST**

An “ST” is an indication the tire is for trailer use only.

### **Max. Load Dual kg (lbs) at kPa (psi) Cold**

This information indicates the maximum load and tire pressure when the tire is used as a dual, that is, when four tires are put on each rear axle (a total of six or more tires on the vehicle).

### **Max. Load Single kg (lbs) at kPa (psi) Cold**

This information indicates the maximum load and tire pressure when the tire is used as a single.

### **Load Range**

This information identifies the tire’s load-carrying capabilities and its inflation limits.

## **2.4.11. TIRE SAFETY TIPS**

### **Preventing Tire Damage**

- Slow down if you have to go over a pothole or other object in the road.
- Do not run over curbs or other foreign objects in the roadway, and try not to strike the curb When parking.

### **Tire Safety Checklist**

- Check tire pressure regularly (at least once a month), including the spare.
- Inspect tires for uneven wear patterns on the tread, cracks, foreign objects, or other signs of wear or trauma.
- Remove bits of glass and foreign objects wedged in the tread.
- Make sure your tire valves have valve caps.
- Check tire pressure before going on a long trip.
- Do not overload your vehicle. Check the Tire Information and Loading Placard or User’s Manual for the maximum recommended load for the vehicle.

# **3. General Safety Information**

---

Follow all of the safety precautions and instructions in this manual to ensure safety of persons, cargo, and satisfactory life of the trailer.

## **3.1. USE AN ADEQUATE TOW VEHICLE AND HITCH**

If the vehicle or hitch is not properly selected and matched to the Gross Vehicle Weight Rating (GVWR) of your trailer, you can cause an accident that could lead to death or serious injury. If you already have a tow vehicle, know your vehicle tow rating, and Gross Combination Weight Rating (GCWR) and make certain the trailer’s rated capacity is less than or equal to the tow vehicle’s rated towing capacity. If you already have (or plan to buy) a trailer, make certain that the tow rating of the tow vehicle is equal to or greater than the GVWR of the trailer, and that the GCWR will be within limits.

# ⚠ Danger

Use of a hitch with a load rating less than the load rating of the trailer can result in loss of control and may lead to death or serious injury.

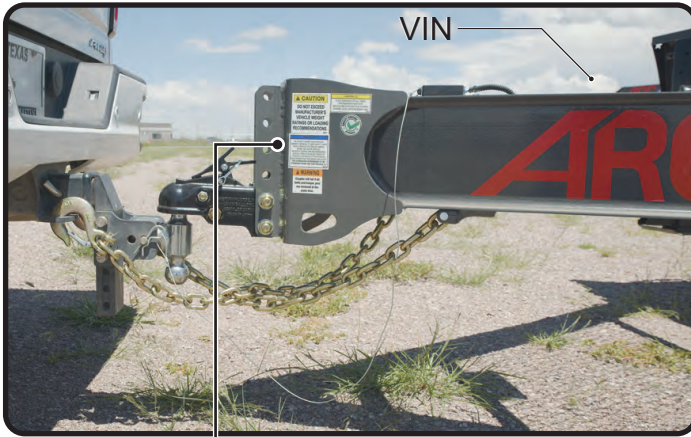
Use of a tow vehicle with a towing capacity less than the load rating of the trailer can result in loss of control, and may lead to death or serious injury.

Be sure your hitch and tow vehicle are rated for the Gross Vehicle Weight Rating of your trailer.

## 3.1.1. TRAILER INFORMATION

### Certification / VIN Label

The location of the trailers "Certification / VIN Tag" is shown below.



**⚠ CAUTION**  
DO NOT EXCEED MANUFACTURER'S VEHICLE WEIGHT RATINGS OR LOADING RECOMMENDATIONS.  
M107

**CAUTION** ⚠  
FULLY CHARGED AT ALL TIMES. THE BREAKAWAY BATTERY SHOULD BE CHECKED FOR PROPER CHARGE LEVEL BEFORE EVERY USE.  
M101



**IMPORTANT**  
BE SURE TO READ YOUR VEHICLE OWNER'S MANUAL TO SEE WHAT IT SAYS ABOUT VEHICLE TO TRAILER WIRING. MORE AND MORE VEHICLE MANUFACTURERS ARE RECOMMENDING SPECIAL PRECAUTIONS BE TAKEN TO PROTECT THE MORE SOPHISTICATED ELECTRONICS ON THE NEWER VEHICLES. THE HYDRASTAR IS DESIGNED TO BE POWERED FROM THE TOW VEHICLE'S  
M102

**⚠ WARNING**  
Coupler will fall if all bolts and keeper pins are removed at the same time.

**⚠ Warning**

Watch hands and fingers when stretching or rolling up tarp.

MFG. BY / FABRIQUE PAR: <b>ARC TRAILERS</b>		USA PO Box 161206		DATE:
Fort Worth, TX 76161		(000) 000-0000		TYPE/TYPE: TRAILER
GVWR / PNBV	KG	LB		
GVWR / PNBV	TRAILER	TRAILER		
FRONT / AVANT	KG	LB	PSI / LPC	SINGLE / DUAL
INTERM. / INTERM.	KG	LB	KPA	SINGLE / DUAL
REAR / ARRIERE	KG	LB	KPA	SINGLE / DUAL

THIS VEHICLE CONFORMS TO ALL APPLICABLE U.S. FEDERAL MOTOR VEHICLE SAFETY STANDARDS IN EFFECT ON THE DATE SHOWN ABOVE. THIS VEHICLE CONFORMS TO ALL APPLICABLE STANDARDS PRESCRIBED UNDER THE CANADIAN MOTOR VEHICLE SAFETY REGULATIONS IN EFFECT ON THE DATE OF MANUFACTURE. CE VEHICULE EST CONFORME A TOUTES LES NORMES QUI LES SONT APPLICABLES EN VERTU DU REGLEMENT SUR LA SECURITE DES VEHICULES AUTOMOBILES DU CANADA EN VIGUEUR A LA DATE DE SA FABRICATION.

V.I.N./N.I.V. (17 DIGIT VIN NUMBER HERE) (VIN BAR CODE LOCATED HERE)  
MODEL (MODEL NUMBER LOCATED HERE)

The trailer Certification / VIN tag contains the following critical safety information for the use of your trailer:

- **MANUFACTURER:** Name of trailer manufacturer
- **DATE OF MANUFACTURE:** Month and year the trailer was manufactured.
- **GVWR:** The Gross Vehicle Weight Rating is the maximum allowable gross weight of the trailer and its contents. The gross weight of the trailer includes the weight of the trailer and all of the items within it (such as cargo, water, food and other supplies).
- **GAWR:** The Gross Axle Weight Rating is the maximum gross weight that an axle can support. It is the lowest of axle, wheel, or tire rating. Sometimes the tire or wheel rating is lower than the axle manufacturer's rating, and will then determine GAWR. The sum total of the GAWR for all trailer axles may be less than the GVWR for the trailer, because some of the trailer load is carried by the tow vehicle, rather than by the trailer axle(s). The total weight of the cargo and trailer must not exceed the GVWR, and the load on an axle must not exceed its GAWR.
- **TIRE SIZE:** The tire size recommended for your trailer and load range.
- **PSIC:** The "pounds per square inch- cold" is the tire pressure (Kilopascals / Pounds per Square Inch) measured when Cold.
- **CERTIFICATION STATEMENT:** "This trailer meets all the Federal Motor Vehicle Safety Standards in effect on the date of manufacture shown above".
- **VIN:** The Vehicle Identification Number.
- **VEHICLE TYPE:** Generally the word "trailer" is used. However, after this you may put a Model #, or additional descriptor.
- **Tow Vehicle:** When equipping a new vehicle or an older vehicle to tow your trailer, ask the vehicle dealer for advice on how to outfit the towing vehicle. Discuss the following information and equipment with the vehicle dealer.
- **Overall Carrying and Towing Capacity of Vehicle:** Vehicle manufacturers will provide you with the maximum towing capacities of their various models, as well as the GCWR. No amount of reinforcement will give a 100 horsepower, 2,500 pound truck the towing capacity that a 300 horsepower, 5,000 pound truck has.
- **Towing Hitch:** The towing hitch attached to your tow vehicle must have a capacity equal to or greater than the load rating of the trailer you intend to tow. The hitch capacity must also be matched to the tow vehicle capacity.
- **Suspension System:** A tow vehicle equipped with a factory installed "Towing Package" likely comes equipped with heavy duty springs, heavy duty tires and other suspension components which are able to serve the size and weight of the trailer that the vehicle is rated to tow. However, the addition of additional equipment may further improve the tow vehicle performance. These may include adjustable air shocks, helper springs, etc.
- **Brake Controller:** The brake controller is part of the tow vehicle and is essential in the operation of the electric brakes on the trailer. If your trailer has electric brakes it requires a brake controller be installed at the driver's position. The brake controller is not the same as the safety breakaway brake system that is installed on the trailer.
- **Side View Mirrors:** The size of the trailer that is being towed and your state law regulations determine the size of the mirrors. However, some states prohibit extended mirrors on a tow vehicle, except while a trailer is actually being towed. In this situation, detachable extended mirrors are necessary. Check with your dealer or the appropriate state agency for mirror requirements.

- **Heavy Duty Flasher:** A Heavy Duty Flasher is an electrical component that may be required when your trailer turn signal lights are attached to the tow vehicle flasher circuit.
- **Electrical Connector:** An Electrical Connector connects the light and brake systems on the trailer to the light and brake controls on the towing vehicle.
- **Heavy Duty Engine Oil Cooling System:** The tow vehicle engine works harder when a trailer is being towed. Depending on the size of the trailer, you may need to install a separate engine oil cooler. Inadequate cooling may result in sudden engine failure. Ask the tow vehicle dealer if it is necessary to install a heavy duty cooling system.
- **Automatic Transmission Oil Cooler:** The automatic transmission of a towing vehicle handles more power when a trailer is being towed. Inadequate cooling will shorten transmission life, and may result in sudden transmission failure. Ask the tow vehicle dealer if it is necessary to install a separate oil cooler for the automatic transmission.
- **Fire Extinguisher:** It is sensible to have a fire extinguisher in the tow vehicle.
- **Emergency Flares and Emergency Triangle Reflectors:** It is wise to carry these warning devices even if you are not towing a trailer. It is particularly important to have these when towing a trailer because the hazard flashers of your towing vehicle will not operate for as long a period of time when the battery is running both the trailer lights and tow vehicle lights.

### **3.2 COUPLING AND UNCOUPLING THE TRAILER**

A secure coupling (or fastening) of the trailer to the tow vehicle is essential. A loss of coupling may result in death or serious injury. Therefore, you must understand and follow all of the instructions for coupling. The following parts are involved in making a secure coupling between the trailer and tow vehicle:

**Coupling:** That part of the trailer connecting mechanism by which the connection is actually made to the trailer hitch. This does not include any structural member, extension of the trailer frame, or brake controller.

**Hitch:** That part of the connecting mechanism including the ball support platform and ball and those components that extend and are attached to the towing vehicle, including bumpers intended to serve as hitches.


- **Weight Distributing Hitch (or Equalizing Hitch):** A mechanical device that connects the trailer to the towing vehicle and by means of leverage applied on both the trailer and towing vehicle structures, when properly adjusted, distributes the imposed vertical load at the hitch and coupling connection between structures of the towing vehicle and trailer.
- **Weight Carrying Hitch:** A mechanical and/or structural device that connects the trailer to the towing vehicle and that does not employ features designed to redistribute the load imposed at the hitch and carrying connection.

**Safety chains or cables:** Chains or cables permanently attached to the trailer such that if the coupler connection comes loose, the safety chains or cables can keep the trailer attached to the tow vehicle. With properly rigged safety chains or cables, it is possible to keep the tongue of the trailer from digging into the road pavement, even if the coupler-to-hitch connection comes apart. Some states do not allow safety cables, e.g. Pennsylvania; therefore it may be wise to check with the State Police to see if your state has any restrictions on the use of safety cables, if your trailer is so equipped.

**Trailer lighting (and braking) connector:** A device that connects electrical power from the tow vehicle to the trailer. Electricity is used to turn on brake lights, running lights, and turn signals as required. In addition, if your trailer has a separate braking system, the electrical connector will also supply power to the trailer brakes from the tow vehicle.

**Breakaway switch:** If the trailer becomes de-coupled from the towing vehicle, the breakaway switch lanyard, attached independently to the tow vehicle hitch, will pull a pin in the emergency electrical break-away switch on the trailer. The breakaway switch is activated by a separate battery supply in the trailer such as to energize the trailer brakes independently of the towing vehicle. It is important to check the state of charge of the emergency break-away battery before each trip. Simply pull the pin out of the switch by hand and then try to pull the trailer. If you feel a significant drag force the brakes are activated. Be sure to re-insert the pin in the break-away switch. Also be sure to allow enough slack in the break-away brake lanyard such that the switch will only activate (pin pulls out) if the coupler connection comes loose. For additional details refer to Section 3.2.2.5

**Jack:** A device on the trailer that is used to raise and lower the trailer tongue. On larger trailers the jack is sometimes called the “landing gear.”

 **Warning**

An improperly coupled trailer can result in death or serious injury. Do not move the trailer until:

- The coupler is secured and locked to hitch.
- The safety chains are secured to the tow vehicle.
- The trailer jack(s) are fully retracted. Do not tow the trailer on the road until:
  - Tires and wheels are checked:
  - The breakaway switch is connected to the tow vehicle, and the break-away battery is checked.
  - The load is secured to the trailer; and
  - The trailer lights are connected and checked

### **3.2.2.1 VARIOUS COUPLER DESIGNS**

Trailers are produced with a variety of coupler devices. One of the sections below will pertain to your trailer.

- Bumper pull (Ball Hitch) Coupler
- Gooseneck Hitch Coupler
- Fifth Wheel Coupler

If the coupler on your trailer does not resemble one of the couplers shown in the figures, see the separate coupler instructions. If you do not have separate coupler instructions, call ARC Trailers at (817) 305-7741 for a free copy

### **3.2.2.2 TRAILER WITH BALL-HITCH COUPLER**

A ball hitch coupler connects to a ball that is located on or under the rear bumper of tow vehicle. This system of coupling a trailer to a tow vehicle is sometimes referred to as “bumper pull.” A ball hitch trailer may be fitted with a tongue jack that can raise and lower the coupler. The tongue jack is mounted to the A-frame (front, or tongue) part of the trailer. By rotating the jack handle clockwise, the jack will extend and raise the tongue of the trailer.



Be sure the Ball Hitch coupler is suitable for the size and weight of the trailer. The load rating of the coupler and the necessary ball size are listed on the trailer tongue. You must provide a hitch and ball for your tow vehicle, where the load rating of the hitch and ball is equal to or greater than that of your trailer. Also, the ball size must be the same as the coupler size. If the hitch ball is too small, too large, is underrated, is loose or is worn, the trailer can come loose from the tow vehicle, and may cause death or serious injury.

**THE TOW VEHICLE, HITCH AND BALL MUST HAVE A RATED TOWING CAPACITY EQUAL TO OR GREATER THAN THE TRAILER GROSS VEHICLE WEIGHT RATING (GVWR).**

**IT IS ESSENTIAL THAT THE HITCH BALL BE OF THE SAME SIZE AS THE COUPLER.**

The ball size and load rating (capacity) are marked on the ball; hitch capacity is marked on the hitch.

**⚠ Warning**

**Coupler-to-hitch mismatch can result in uncoupling, leading to death or serious injury. Be sure the LOAD RATING of the hitch ball is equal or greater than the load rating of the coupler. Be sure the SIZE of the hitch ball matches the size of the coupler.**

Wipe the hitch ball clean and inspect it visually and by feel for flat spots, cracks and pits.

## Warning

A worn, cracked or corroded hitch ball can fail while towing, and may result in death or serious injury. Before coupling trailer, inspect the hitch ball for wear, corrosion and cracks. Replace worn or damaged hitch ball.

Rock the ball to make sure it is tight to the hitch, and visually check that the hitch ball nut is solid against the lock washer and hitch frame.

Wipe the inside and outside of the coupler clean and inspect it visually for cracks and deformations; feel the inside of the coupler for worn spots and pits.

Be sure the coupler is tight to the tongue of the trailer. All coupler fasteners must be visibly solid against the trailer frame.

## Warning

A loose hitch-ball nut can result in uncoupling, leading to death or serious injury. Be sure the hitch ball is tight to the hitch before coupling the trailer.

Raise the bottom surface of the coupler to be above the top of the hitch ball. Use the jack if one is provided; otherwise, use wood or concrete blocks to support the trailer tongue.

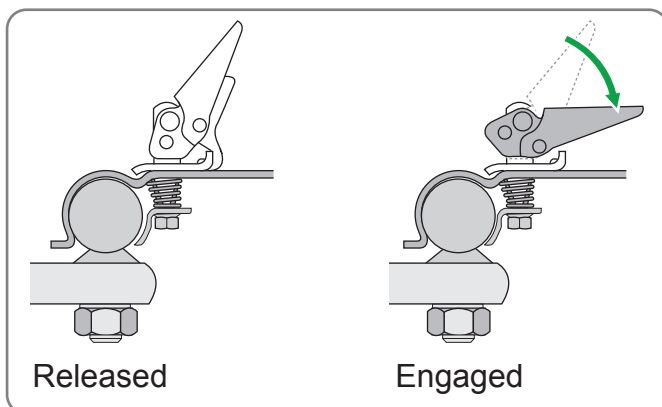
### **3.2.2.3 PREPARE THE COUPLER AND HITCH**

Lubricate the hitch ball and the inside of the coupler with a thin layer of automotive bearing grease. If your trailer is equipped with a jack, raise the coupler above the ball height.

Open the coupler locking mechanism. Ball couplers have a locking mechanism with an internal moving piece (ball clamp) and an outside handle, wheel, or latch.

In the open position, the coupler is able to drop fully onto the hitch ball. See the coupler instructions for details of placing the coupler in the “open” position.

Slowly back up the tow vehicle so that the hitch ball is near or aligned under the coupler, if the trailer jack has raised the coupler.



Need Help?  
Call ARC Trailers  
**(817) 305-7741**

### **3.2.2.4 COUPLE THE TRAILER TO THE TOW VEHICLE**

If your trailer does not have a jack, you will have to lift the coupler and place it over the ball.

If you have a jack, lower the trailer tongue until the coupler fully engages the hitch ball. If the coupler does not line up with the hitch ball, adjust the position of the tow vehicle.

Engage the coupler locking mechanism. In the engaged position, the locking mechanism securely holds the coupler to the hitch ball.

Insert a pin or lock through the hole in the locking mechanism.

Be sure the coupler is all the way on the hitch ball and the locking mechanism is engaged. A properly engaged locking mechanism will allow the coupler to raise the rear of the tow vehicle. Using the trailer jack, test to see that you can raise the rear of the tow vehicle by 1 inch, after the coupler is locked to the hitch.



## **Notice**

**Overloading can damage the tongue jack.  
Do not use the tongue jack to raise the  
tow vehicle more than 1 inch.**

If the coupler cannot be secured to the hitch ball, do not tow the trailer. Call ARC Trailers at (817) 305-7741 or your dealer for assistance.

Lower the trailer so that its entire tongue weight is held by the hitch, and continue retracting the jack to its fully retracted position.

### **3.2.2.5 RIG THE SAFETY CHAINS**



Visually inspect the safety chains and hooks for wear or damage. Replace worn or damaged safety chains and hooks before towing

Rig the safety chains so that they:

- Criss-cross underneath the coupler so if the trailer uncouples, the safety chains can hold the tongue up above the road.
- Loop around a frame member of the tow vehicle or to holes provided in the hitch system (but, do not attach them to an interchangeable part of the hitch assembly)
- Attach “S” hooks up from underneath the hole (do not just drop into hole); and
- Provide enough slack to permit tight turns, but not be close to the road surface to drag.
- Chains can be twisted to take out slack to get to the correct amount of slack.

## Warning

**Improper rigging of the safety chains can result in loss of control of the trailer and tow vehicle, leading to death or serious injury, if the trailer uncouples from the tow vehicle.**

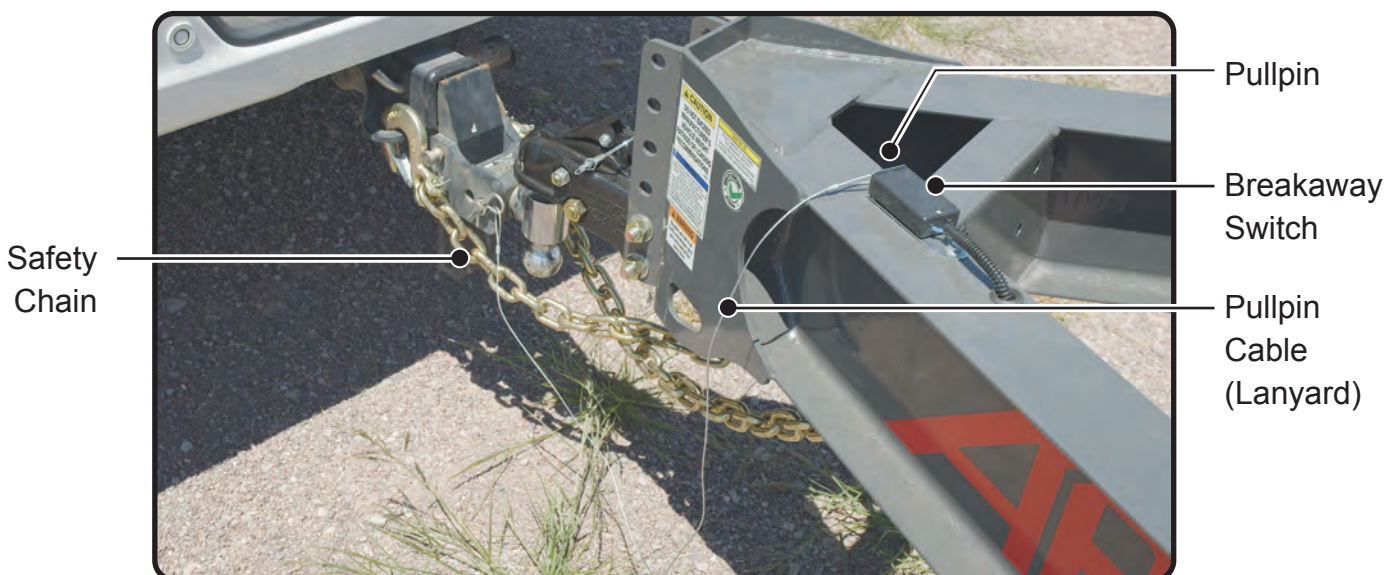
- **Fasten chains to frame of tow vehicle. Do not fasten chains to any part of the hitch unless the hitch has holes or loops specifically for that purpose.**
- **Cross chains underneath hitch and couple with enough slack to permit turning and to hold tongue up, if the trailer comes loose.**

### **3.2.2.6 ATTACH AND TEST ELECTRIC BREAKAWAY BRAKE SYSTEM**

If the coupler or hitch fails, a properly connected and working breakaway brake system will apply electric brakes on the trailer. The safety chains will keep the tow vehicle attached and as the brakes are applied at the trailer’s axles, the trailer/tow vehicle combination will come to a controlled stop.

The breakaway brake system includes a battery, a switch with a pullpin, and a lanyard. Read and follow the instructions here as well as the instructions that have been prepared by the breakaway brake manufacturer. If you do not have these instructions, call ARC Trailers at (817) 305-7741 for a free copy.


The breakaway brake system may be fitted with a “charging” capability that draws power from the tow vehicle. If the electrical system on your tow vehicle does not provide power to the breakaway brake battery, you must periodically charge the battery to keep the breakaway brake system in working order.



Connect the pullpin lanyard to the tow vehicle so that the pullpin will be pulled out before all of the slack in the safety chains is taken up (see Breakaway Brake System figure). Do not connect the pullpin cable to a safety chain or to the hitch ball or hitch ball assembly. This would keep the breakaway brake system from operating when it is needed.

To test the break-away brake battery, remove the pullpin from the switch and attempt to pull the trailer forward. You should feel the trailer resisting being towed, but the wheels will not necessarily be locked. If the brakes do not function, do not tow the trailer until brakes, or battery, are repaired.

Immediately replace the pullpin. The breakaway brake system battery discharges rapidly when the pullpin is removed.

 **Warning**

**An ineffective breakaway brake system can result in a runaway trailer, leading to death or serious injury, if the coupler or ball hitch fails.**

**Connect the breakaway cable to the tow vehicle; and NOT the hitch, ball or support.**

**Before towing the trailer, test the function of the breakaway brake system. If the breakaway brake system is not working, do not tow the trailer. Have it serviced or repaired.**

Do not tow the trailer with the breakaway brake system ON because the brakes will overheat which can result in permanent brake failure.

 **Warning**

Failure to replace the pullpin will prevent brakes from working, leading to loss of control, serious injury or death.

If you do not use your trailer for three or more months, or during winter months:

- Store the battery indoors; and
- Charge the battery every three months.

Replace the breakaway brake battery according to the intervals specified by battery manufacturer.

### **3.2.2.7 CONNECT THE ELECTRICAL CABLES**

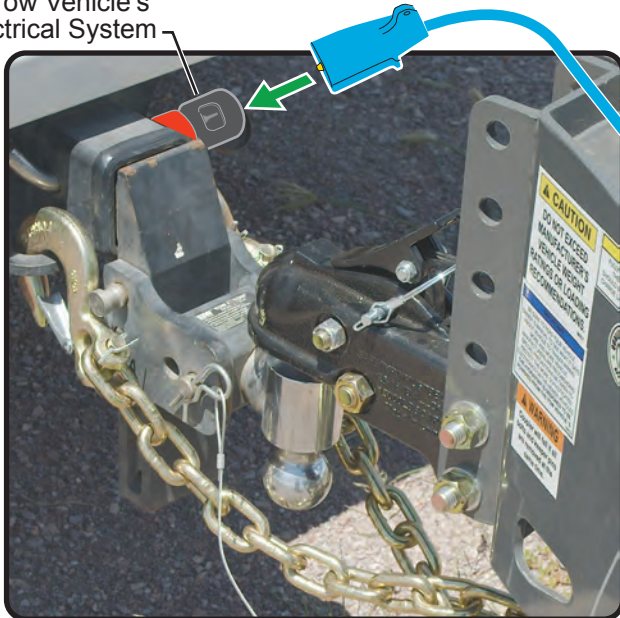
Connect the trailer lights to the tow vehicle's electrical system using the electrical connectors. Check all lights for proper operation.

- Clearance and Running Lights (Turn on tow vehicle headlights).
- Brake Lights (Step on tow vehicle brake pedal).
- Turn Signals (Operate tow vehicle directional signal lever).

Check electric brakes for proper operation using brake controller mounted in the cab.

If your trailer has electric brakes, your tow vehicle will have an electric brake controller that sends power to the trailer brakes. Before towing the trailer on the road, you must operate the brake controller while trying to pull the trailer in order to confirm that the electric brakes operate. While towing the trailer at less than 5 m.p.h., manually operate the electric brake controller in the tow vehicle cab. You should feel the operation of the trailer brakes.

Tow Vehicle's  
Electrical System



Electrical Cable



## **Warning**

**Improper electrical connection between the tow vehicle and the trailer will result in inoperable lights and electric brakes, and can lead to collision. Before each tow:**

- Check that the taillights, brake lights and turn signals work
- Check that the electric brakes work by operating the brake controller inside the tow vehicle.

### **3.2.2.8 UNCOUPLING THE BALL HITCH TRAILER WITH TONGUE JACK**

Follow these steps to uncouple your ball hitch trailer from the tow vehicle:

- Block trailer tires to prevent the trailer from rolling, before jacking the trailer up.
- Disconnect the electrical connector.
- Disconnect the breakaway brake switch lanyard.
- Disconnect the safety chains from the tow vehicle.
- Unlock the coupler and open it.
- Before extending jack, make certain the ground surface below the jack pad will support the tongue load.
- Rotate the jack handle (or crank) clockwise. This will slowly extend the jack and transfer the weight of the trailer tongue to the jack.

### **3.2.3. TRAILER WITH GOOSENECK COUPLER AND DROP-LEG JACK**

A gooseneck coupler on the trailer connects to a gooseneck ball that you must have installed in the bed of the tow vehicle. This system of coupling a trailer to a tow vehicle permits the tow vehicle to turn to sharper angles than are permitted by a bumper hitch system. A gooseneck coupler consists of a tube in an inverted “U” shape and a gooseneck ball receiver. “Trailer with Gooseneck Hitch Coupler” figure shows a trailer with a gooseneck coupler.

We have installed a Gooseneck ball receiver that is suitable for the size and weight of the trailer. The load rating of the coupler and the necessary ball size are listed on the gooseneck. You must provide a gooseneck ball and support structure that is marked with a rating that meets or exceeds the GVWR of your trailer and matches the size of the gooseneck ball receiver. If the gooseneck ball is too small, is underrated, is loose or is worn, the trailer can come loose from the tow vehicle, and may lead to death or serious injury.

**THE TOW VEHICLE, SUPPORT STRUCTURE AND GOOSENECK BALL MUST HAVE A RATED TOWING CAPACITY EQUAL TO OR GREATER THAN THE TRAILER GROSS VEHICLE WEIGHT RATING (GVWR).**

**IT IS ESSENTIAL THAT THE GOOSENECK BALL BE OF THE SAME SIZE AS THE GOOSENECK BALL RECEIVER.**

The ball size and load rating (capacity) are marked on the ball; hitch capacity is marked on the hitch.



## **⚠ Warning**

**Coupler-to-hitch mismatch can result in uncoupling, leading to death or serious injury.**

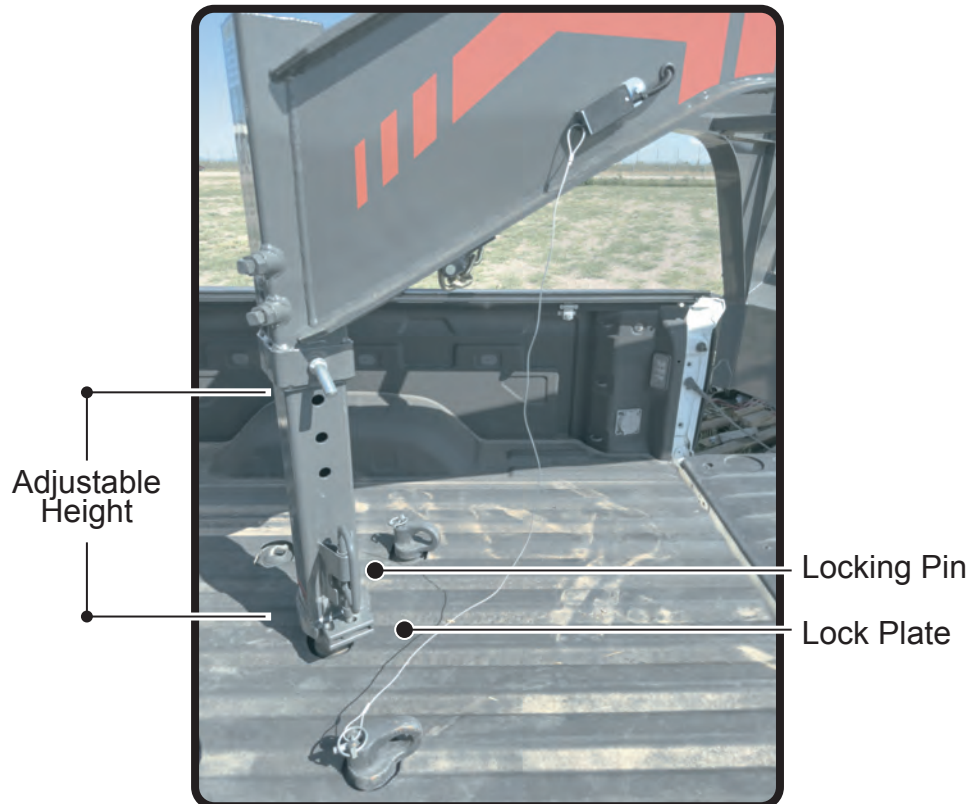
**Be sure the LOAD RATING of the hitch ball is equal or greater than the load rating of the coupler.**

**Be sure the SIZE of the hitch ball matches the size of the coupler.**

The height of the ball receiver on the trailer must be adjusted to match the height of the gooseneck ball on your tow vehicle, so that:

- There is clearance between the bottom of the trailer and the sides of the tow vehicle bed; and
- The trailer is level and allows equal weight distribution on tandem axles.

The “Gooseneck Ball Receiver and Height Adjustment” figure shows the gooseneck height adjustment. The gooseneck height adjustment bolts, which have a “cup” that makes a gripping impression into the gooseneck tube, must be tight so that the trailer does not drop to a lower position. Do not over-tighten because the tube can be deformed. After tightening the bolts, tighten the jam nuts on the bolts.

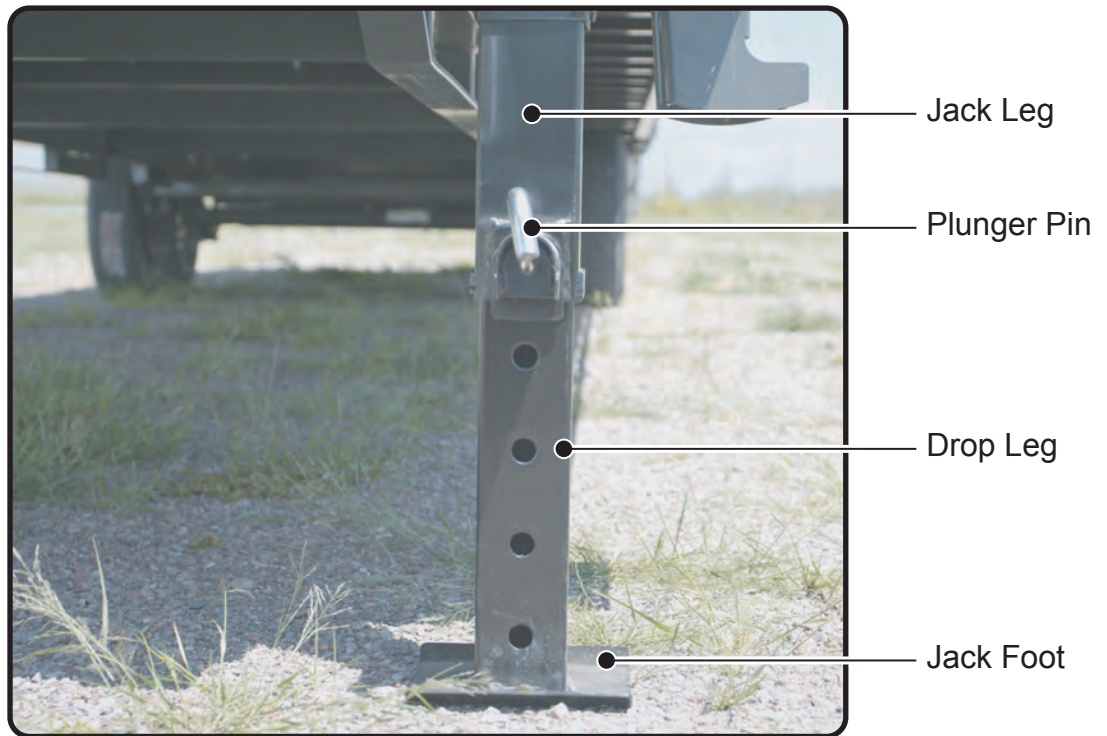


## **Warning**

**Improper gooseneck height adjustment can result in overloaded tires, blowout and loss of control, leading to death or serious injury.**

**Adjust the gooseneck receiver so that the loaded trailer is level.**

A trailer having a gooseneck hitch will have one or two drop leg jacks for raising and lowering the gooseneck ball receiver. Because several drop leg jack mechanisms are available, the general instructions below may vary slightly from the jack manufacturer’s instructions. If the trailer jack on your trailer does not resemble the jack shown in the figures, follow the jack instructions provided by the jack manufacturer. If you do not have these instructions, call ARC Trailers at (817) 305-7741 for a free copy.



Before attempting to tow the trailer:

- Be sure the size and rating of the gooseneck ball match the size and rating of the receiver.
- Gooseneck balls and receivers are marked with their size and ratings.
- Wipe the gooseneck ball clean and inspect it visually and by feel for flat spots, cracks and pits.

## **Warning**

**A worn, cracked or corroded gooseneck ball can fail while towing, and may result in death or serious injury.**

**Before coupling the trailer, inspect the gooseneck ball for wear, corrosion and cracks, and replace worn or damaged gooseneck ball.**

Rock the ball to make sure it is tight to the ball support, and visually check that the gooseneck ball nut is solid against the lock washer and ball support frame.

## **Warning**

**A loose gooseneck ball can result in uncoupling, leading to death or serious injury. Be sure the gooseneck ball nut is tight before coupling the trailer.**

Wipe the inside and outside of the receiver clean and inspect it visually for cracks; and feel the inside of the receiver for worn spots and pits. If any of these conditions exist, have the receiver replaced before coupling the trailer.

Lubricate the inside of the gooseneck ball receiver with automotive bearing grease.

Be sure the receiver is tight to the trailer. All receiver fasteners must be visibly solid against the trailer frame.

Release the jack handle or crank from its holder (see “Drop Leg Jack” figure).


Make certain the ground beneath the jack foot is firm enough to support the tongue weight.

Rotate the handle/crank clockwise to raise the bottom surface of the gooseneck to be above the top of the gooseneck ball.

### **3.2.3.1 PREPARE THE BALL RECEIVER AND GOOSENECK BALL**

Release the lock plate on the gooseneck ball receiver. With the spring-loaded lock plate locking pin in the OPEN position, rotate the lock plate to a position that allows the gooseneck ball to enter the receiver (see “Gooseneck Ball Receiver and Height Adjustment” figure). Slowly back up the tow vehicle so that the gooseneck ball is aligned under the gooseneck ball receiver.

Any vehicles with a tailgate to ensure the tailgate is lowered prior to backing the tow vehicle to align the ball and receiver.

 **Warning**

**If the trailer drops during coupling, death or serious injury may result.**

**There must be no one under the trailer or coupler before or during the coupling operation.**


### **3.2.3.2 COUPLE THE TRAILER TO THE TOW VEHICLE**

Rotate the jack handle counter-clockwise. This will retract the jack causing the gooseneck ball receiver to drop down so it can fully engage the gooseneck ball and transfer the weight of the trailer tongue to the towing vehicle hitch. If the receiver does not line up with the ball, raise the receiver again and adjust the position of the tow vehicle. Then lower the receiver over the ball. When the drop leg base is no longer resting on the ground, the towing vehicle hitch is holding all of the weight of the trailer tongue.

Close the lock plate on the gooseneck ball receiver.

Move the spring-loaded lock plate locking pin to the CLOSED position. Be sure the locking pin is holding the lock plate.

Be sure the receiver is all the way on the gooseneck ball and the lock plate is engaged. A properly engaged locking mechanism will allow the coupler to raise the rear of the tow vehicle. Using the trailer jack, test to see that you can raise the rear of the tow vehicle by 1 inch.



**Need Help?**  
**Call ARC Trailers**  
**(817) 305-7741**



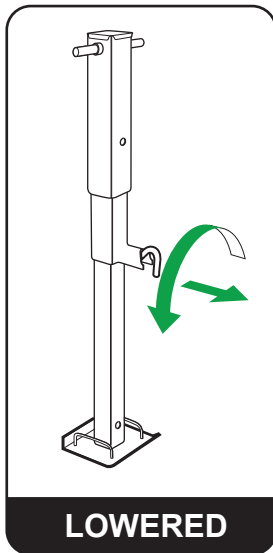
## Notice

**Overloading can damage the drop leg jack. Do not use the drop leg jack to raise the tow vehicle more than 1 inch.**

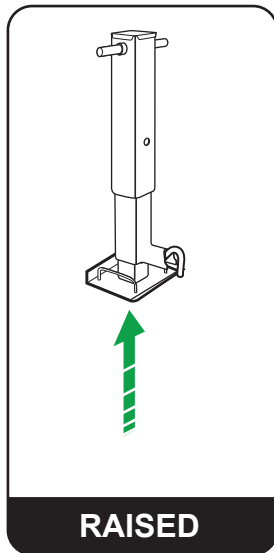
If the gooseneck ball cannot be secured to the receiver, do not tow the trailer. Call ARC Trailers at (817) 305-7741 or your dealer for assistance.

After testing to see that the receiver is properly secured and locked to the ball, retract the jack to its fully retracted position.

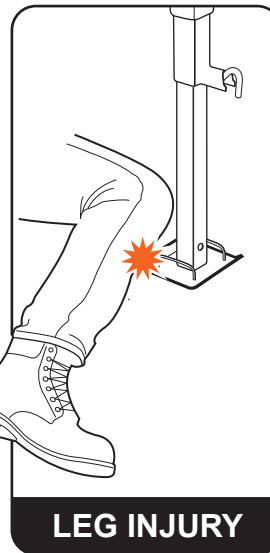
Return the drop legs to their upper positions. The drop legs are held in the lowered position with a plunger pin. Rotating the plunger pin while pulling it outward will cause it to come out of engagement with the drop leg and the leg will rapidly rise (see "Drop Leg Mechanism" figure).



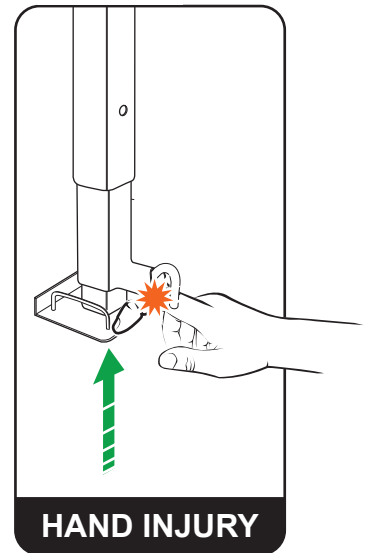
**LOWERED**



**RAISED**



**LEG INJURY**



**HAND INJURY**



## Caution

**The drop legs are heavily spring loaded in the lowered position. They will rapidly return to the upper position when released and can inflict serious bruises, scrapes or pinching.**

**Keep your feet, shins and hands well clear of the drop leg bases when releasing the drop legs.**

**Always wear shoes or boots while performing this operation.**

### **3.2.3.3 RIG THE SAFETY CHAINS**

Visually inspect the safety chains and hooks for wear or damage. Replace worn or damaged safety chains and hooks before towing.

Rig the safety chains so that they attach to the “safety chain receivers” in the bed of the truck. If you are not certain of the hitch provisions for receiving safety chains, contact the hitch manufacturer or installer. **DO NOT** attach the safety chains to the gooseneck ball or its support.

Rig the safety chains so they have sufficient slack to permit turning, but not too much slack – the safety chains must keep the gooseneck on the tow vehicle bed if the trailer uncouples.

## **! Warning**

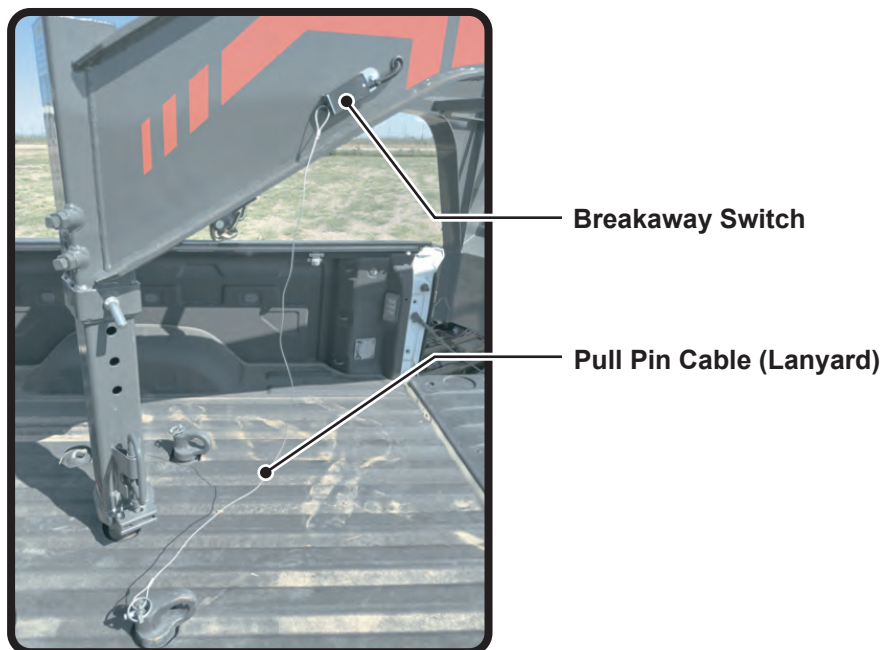
**Improper rigging of the safety chains can result in loss of control of the trailer and tow vehicle, leading to death or serious injury, if the trailer uncouples from the tow vehicle or gooseneck ball receiver.**

- **Fasten chains to safety chain receivers on the hitch, not to ball.**
- **Have sufficient slack to permit turning and to keep gooseneck on bed of tow vehicle, if the trailer comes loose.**

### **3.2.3.4 ATTACH AND TEST THE BREAKAWAY BRAKE SYSTEM**

If the coupler or hitch fails, a properly connected and working breakaway brake system will apply electric brakes on the trailer. The safety chains will keep the tow vehicle attached and as the brakes are applied at the trailer’s axles, the trailer/tow vehicle combination will come to a controlled stop.

The breakaway brake system includes a battery, a switch with a pullpin, and a breakaway brake controller. Read and follow the instructions here as well as the instructions that have been prepared by the breakaway brake controller manufacturer. If you do not have these instructions, call ARC Trailers at (817) 305-7741 for a free copy.



The breakaway brake system may be fitted with a charging facility that draws power from the tow vehicle. If the electrical system on your tow vehicle does not provide power to the breakaway brake battery you must periodically charge the battery on the trailer to keep the breakaway brake system in working order.

Visually inspect the breakaway brake system for broken parts.

Connect the pull pin cable to the tow vehicle so that the pull pin will be pulled out before all of the slack in the safety chains is taken up (see “Safety Chains” figure). Do not connect the pull pin cable to a safety chain or a safety chain receiver or to the gooseneck ball or its support. This would keep the breakaway brake system from operating when it is needed. Contact the hitch manufacturer or installer if you are not certain of the hitch provisions for breakaway brake connection

To check the break-away brake battery pull out the pull pin from the switch and attempt to pull the trailer forward. You should feel the trailer resisting being towed, but the wheels will not necessarily lock up.

Immediately replace the pull pin. The breakaway brake system battery discharges rapidly when the pull pin is removed.

## **Warning**

**An ineffective or inoperative breakaway brake system can result in a runaway trailer leading to death or serious injury, if the coupler or hitch fails.**

**Connect the breakaway cable to the tow vehicle; and NOT to the safety chain, safety chain receiver, gooseneck ball or gooseneck ball support.**

**Test the function of the breakaway brake system before towing the trailer. Do not tow the trailer if the breakaway brake system is not working; have it serviced or repaired.**

Do not tow the trailer with the breakaway brake system ON because the brakes will overheat which can result in permanent brake failure.

## **Warning**

**Failure to replace the pullpin will prevent brakes from working and can result in permanent brake failure, leading to loss of control, serious injury or death.**

If you do not use your trailer for three or more months, or during winter months:

- Store the battery indoors; and Charge the battery every three months.
- Charge the battery every three months.

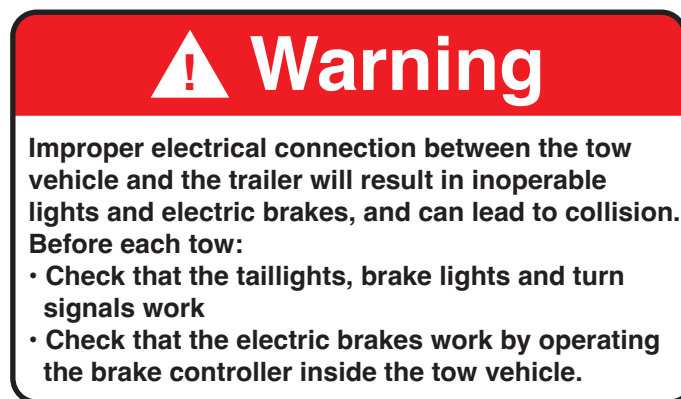
Replace the breakaway brake battery at intervals recommended by the battery manufacturer's instructions.

### **3.2.3.5 CONNECT THE ELECTRICAL CABLES**

Connect the trailer lights to the tow vehicle's electrical system using the electrical connectors. Check all lights for proper operation:

- Clearance and Running Lights (Turn on tow vehicle headlights).
- Brake Lights (Step on tow vehicle brake pedal).
- Turn Signals (Operate tow vehicle directional signal lever).
- Check electric brakes for proper operation

If your trailer has electric brakes, your tow vehicle will have an electric brake controller that sends power to the trailer brakes. Before towing the trailer on the road, you must operate the brake controller while trying to pull the trailer in order to confirm that the electric brakes operate. While towing the trailer at less than 5 m.p.h., manually operate the electric brake controller in the tow vehicle cab. You should feel the operation of the trailer brakes.



### **3.2.3.6. UNCOUPLING THE GOOSENECK TRAILER WITH DROP-LEG JACK**

Follow these steps to uncouple your gooseneck hitch trailer from the tow vehicle:

- Block trailer tires to prevent the trailer from rolling, before jacking the trailer up
- Disconnect the electrical connector.
- Disconnect the breakaway brake switch lanyard.
- Disconnect the safety chains from the tow vehicle.
- Move the spring-loaded gooseneck receiver lock plate locking pin to the OPEN position (see “Gooseneck Ball Receiver and Height Adjustment” figure).
- Rotate the lock plate to a position that permits the gooseneck ball to exit the receiver.
- Before releasing dropleg jack, make certain ground surface below jack base will support the trailer tongue load.
- Rotate the drop leg plunger pin handle so that the plunger pin is released from the drop leg (see “Releasing Drop Leg Mechanism” figure).
- Push down on the drop leg base with your foot to place a drop leg to the desired lowered position.
- Rotate the plunger pin handle so that the plunger pin is attempting to engage the drop leg (see “Releasing Drop Leg Mechanism” figure)
- Slowly raise your foot, permitting the drop leg to raise. The plunger pin will engage a hole in the drop leg.



## Caution

**The drop legs are heavily spring loaded in the lowered position. They will rapidly return to the upper position when released and can inflict serious bruises, scrapes or pinching.**

**Keep your feet, shins and hands well clear of the drop legs and drop leg bases when releasing the drop legs.**

**Always wear shoes or boots while performing this operation.**

- Be sure the plunger pin is fully engaged. Push it in by hand if necessary. The bent part of the plunger pin handle must be touching the plunger pin housing.
- If your trailer has two drop leg jacks, lower them both to the same level, following the above instructions.



## Notice

**If the drop legs are not set at the same level, one of the drop leg jacks can be overloaded and can be damaged.**

- Release the handle (or crank) from its holder and engage it with the jack shaft (see “Drop Leg Jack” figure).
- Rotate the handle (or crank) from its hold and engage it with the jack shaft (see “Drop Leg Jack” figure).
- Rotate the handle (or crank) clockwise to slowly extend the jack and transfer the weight of the trailer tongue to the jack.
- On two speed jacks, pushing the handle shaft toward the gearbox can perform rapid extension. This shifts the gearbox into a high speed mode.
- When the drop leg base contacts the ground, shift the gearbox into low gear mode by pulling or pushing on the handle shaft until it locks into low gear.



## Notice

- **Continue to extend the jack(s), making sure that the ground is providing stable and level support for the trailer.**
- **After the jack(s) are extended and the gooseneck ball receiver is well clear of the gooseneck ball, to permit driving the tow vehicle away, disengage the handle from its shaft and return to its holder.**

- Continue to extend the jack(s), making sure that the ground is providing stable and level support for the trailer.
- After the jack(s) are extended and the gooseneck ball receiver is well clear of the gooseneck ball, to permit driving the tow vehicle away, disengage the handle from its shaft and return to its holder.

## 4. Loading the Trailer

Improper trailer loading causes many accidents and deaths. To safely load a trailer, you must consider:

- Overall load weight;
- Load weight distribution;
- Proper tongue weight;
- Securing the load properly.

To determine that you have loaded the trailer within its rating, you must consider the distribution of weight, as well as the total weight of the trailer and its contents. The trailer axles carry most of the total weight of the trailer and its contents (Gross Vehicle Weight, or “GVW”). The remainder of the total weight is carried by the tow vehicle hitch. It is essential for safe towing that the trailer-tongue and tow vehicle hitch carry the proper amount of the loaded trailer weight, otherwise the trailer can develop an undesirable sway at towing speeds, or the rear of the towing vehicle can be overloaded. Read the “Tongue Weight” section below.

The load distribution must be such that no component part of the trailer is loaded beyond its rating. This means that you must consider the rating of the tires, wheels and axles. For tandem and triple axle trailers, you must make sure that the front-to-rear load distribution does not result in overloading any axle.

Towing stability also depends on keeping the center of gravity as low as possible. Load heavy items on the floor and over the axles. When loading additional items, be sure to maintain even side-to-side weight distribution and proper tongue weight. The total weight of the trailer and its contents must never exceed the total weight rating of the trailer (Gross Vehicle Weight Rating, or “GVWR”).

### **Warning**

**An overloaded trailer can result in loss of control of the trailer, leading to death or serious injury.**

**Do not load a trailer so that the weight on any tire exceeds its rating.**

**Do not exceed the trailer Gross Vehicle Weight Rating (GVWR) or the Gross Axle Weight Rating (GAWR).**

#### **4.1 TONGUE WEIGHT**

It is critical to have a portion of the trailer load carried by the tow vehicle. That is, the trailer tongue must exert a downward force on the hitch. This is necessary for two reasons. First, the proper amount of tongue weight is necessary for the tow vehicle to be able to maintain control of the tow vehicle/trailer system. If, for example, the tongue exerts an upward pull on the hitch, instead of pushing down on it (because the trailer is overloaded behind its axle(s)), the rear wheel of the tow vehicle can lose traction or grip and cause loss of control. Also, even if there is some weight on the tongue, but not enough weight on the tongue, the trailer can become unstable at high speeds. Remember, the faster you go the more likely the trailer is to sway.


If, on the other hand, there is too much tongue weight, the tow vehicle is prone to jack-knife (like the old Corvairs). Furthermore, the front wheels of the tow vehicle can be too lightly loaded and cause

loss of steering control and traction, if the front wheels are driving. In addition to tow vehicle control, tongue weight is necessary to insure that the trailer axle(s) do not exceed their Gross Axle Weight Rating (GAWR).

The table below has “rules of thumb” for proper tongue weight. In the table below, the second column notes the rule of thumb percentage of total weight of the trailer plus its cargo (Gross Vehicle Weight, or “GVW”) that should appear on the tongue of the trailer. For example, a trailer with a gooseneck hitch, with a loaded weight of 12,000 pounds, should have 20-25% (of 12,000 pounds) on the tongue. That is, the example trailer would have 2,400 to 3,000 pounds on its tongue

<b>Tongue Weight as a Percentage of Loaded Trailer Weight</b>	
Type Of Hitch	Percentage
Ball Hitch (or Bumper Hitch)	10-15% for large trailers 6-10% for smaller utility and cargo trailers 4-6% for boat trailers
Gooseneck Hitch	20-25%
Fifth Wheel Hitch	

*The numbers quoted above are for example purposes only and should be tailored to the specific trailer. For questions regarding the actual percent of tongue weight for the trailer, check with the manufacturer for specifics.*


Warning

**Improper tongue weight (load distribution) can result in loss of control of the trailer, leading to death or serious injury.**

**Make certain that the tongue weight is within the allowable range. Be sure to:**

- **Distribute the load front-to-rear to provide proper tongue weight (see chart);**
- **Distribute the load evenly, right and left, to avoid tire overload; and**
- **Keep the center of gravity low.**

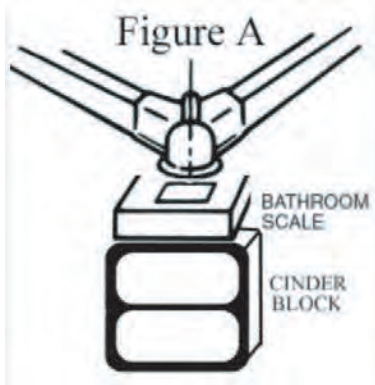
#### **4.2. CHECKING TONGUE WEIGHT**

To check the tongue weight, the tow vehicle and trailer must be on level ground, as they will be when the trailer is being towed.

For lighter trailers the recommended method of checking tongue weight is to use an accessory called a “tongue weight scale.” If a tongue weight scale is not available from your dealer, call ARC Trailers at (817) 305-7714 for assistance. An alternate method of checking tongue weight involves the use of a bathroom scale. The loaded trailer must be on a smooth and level surface, and you must block the trailer wheels, front and rear.



Need Help?  
Call ARC Trailers  
**(817) 305-7741**



## **Warning**

**An unrestrained trailer can fall off its support, resulting in serious injury or death.**

**Before checking tongue weight, block trailer wheels, front and rear.**

- Raise the tongue of the trailer with the jack.
- Place a bathroom scale on the ground, directly below the coupler.
- Place a strong block support (such as a cement block) on the scale – note the scale reading for the weight of the block support. Lower the tongue until the coupler rests on the block support and the jack is  $\frac{1}{2}$  inch above the ground. The scale reading, minus the weight of the block support is the tongue weight.

If the tongue weight exceeds the capacity of a bathroom scale, you can use “leverage” to divide the tongue weight between the bathroom scale and another support (see “Checking Tongue Weight” figure). See Figure A above.

- Raise the tongue of the trailer with the jack.
- Arrange a brick, 2 x 4 (or 4 x 4) board, bathroom scale and pipes as shown in “Checking Tongue Weight” figure. The brick should be about the same thickness as the bathroom scale.
- Leave a 3 foot distance between the pipes and place the coupler about 2 feet from the pipe on the bathroom scale.
- Place a strong block support (such as a cement block) on the board. Note the weight indicated on the scale.
- Lower the tongue until the coupler rests on the block support and the jack is  $\frac{1}{2}$  inch above the ground.
- Subtract the scale reading with the block and board alone from the scale reading with the trailer on the block. Multiply the result by 3 to get the actual tongue weight.

Example:

Scale reading with block and board alone = 10 lbs.

Scale reading with trailer coupler resting on board = 50 lbs.

Actual tongue weight:  $(50-10) \times 3 = 120$  lbs.

For heavier trailers it is easier to go to a truck stop where there is a “certified” scale.

Pull only the tow vehicle onto the scale and get the weight. This weight must be less than your tow vehicle’s GVWR. Pull the trailer onto the scale and decouple it from the tow vehicle, leaving just the trailer on the scale.

Get a “ticket”, which lists the total trailer weight. Re-connect the trailer to your tow vehicle and the drive the tow vehicle wheels off the scale, just leaving the trailer axles on the scale. Get a second “ticket”, which lists the trailer’s axle weight. Simply subtract the axle weight from the total weight to determine the hitch weight.

While you are at the scale, you should weigh the entire combination vehicle. This result should be less than the Gross Combined Weight Rating (GCWR) for your towing vehicle. Some scales allow you to get individual axle weights also. If this is possible, get the tow vehicles front and rear axle weights to make sure they are in the same proportion as the tow vehicle alone, and that the rear axle is not overloaded.

This is the best way to check that a weight distribution (or load leveling) hitch is adjusted properly, i.e., you have the proper number of chain links attached to the snap-up brackets.

 **Warning**

**Shifting cargo can result in loss of control of the trailer, and can lead to death or serious injury. Tie down all loads with proper sized fasteners, ropes, straps, etc.**

### **4.3. SECURING THE CARGO**

Since the trailer “ride” can be bumpy and rough, you must secure your cargo so that it does not shift while the trailer is being towed.

 **Warning**

**Do not transport flammable, explosive, poisonous or other dangerous materials in your trailer.**

**Exceptions:**

- Fuel in the tanks of vehicles that are being towed
- Fuel stored in proper containers used in trailer living quarters for cooking.
- Fuel stored in the tank of an on-board generator

#### **4.3.1 DISTRIBUTING THE CARGO (OPEN TRAILER)**

Couple the trailer to the tow vehicle before loading. This is essential for the bumper pull trailer because the tongue of a bumper pull trailer can rise during loading, before the cargo is properly distributed. To measure the tongue weight, you will have to uncouple the trailer after it is loaded. Do not transport people, containers of hazardous substances, cans or containers of flammable substances, such as gasoline, kerosene, paint, etc. However, fuel in the tank of an off-road vehicle, or a car or motorcycle, etc. may be carried on your open trailer.

### **4.3.1.1 PREPARING THE TRAILER FOR LOADING**

Before loading cargo onto the trailer:

- Be sure the trailer is on level ground, both left/right and front/back. Attempting to load on uneven ground may cause the trailer to overturn, which can result in serious injury or death.
- Inspect the deck of the trailer for corrosion or damage; and
- Inspect the hold down openings and/or D-rings. Hold down openings must be sturdy with no visible cracks or kinks. D-rings must be tight to the deck and must not be bent.

If the deck or any required hold-down is damaged, do not load the cargo. Bring the trailer to your dealer or a competent repair service before using it to carry cargo.

## **Warning**

**Damaged or loose D-rings can break allowing cargo to become loose inside the trailer. Loose cargo can shift the center of gravity and result in loss of control of the trailer.**

**Inspect D-rings, and test them for looseness before loading cargo.**

**Do not use a damaged or loose D-ring to secure cargo.**

### **4.3.1.2 LOADING A RIGID-DECK TRAILER**

Open trailers have either a rigid-deck or a pivoting deck, depending on the exact model. This subsection describes loading a rigid-deck trailer. Before loading a rigid-deck trailer, couple the trailer to the tow vehicle and make sure the rigid-deck is level. Do not load or unload the trailer when the deck is not level.

Be sure the trailer is on level ground, both left/right and front/back. Attempting to load on uneven ground may cause the trailer to overturn, which can result in serious injury or death.

Make sure the top of the ramp (or ramps) is secure to the trailer, and the bottom is resting on firm ground. Pockets may be provided to hold the ramp to the frame of the trailer.

## **Warning**

**Load can suddenly move or topple, which can result in death or serious injury.**

**Do not load or unload your open trailer unless it is prevented from tipping and is on firm and level ground cargo.**

Load the cargo onto the trailer with approximately 60% of the cargo in the front half of the trailer.

Secure the cargo to the trailer using appropriate straps, chains and tensioning devices.

Since the trailer “ride” can be bumpy and rough, you must secure your cargo so that it does not shift while the trailer is being towed.

## **Warning**

Shifting cargo can result in loss of control of the trailer, and can lead to death or serious injury.

Tie down all loads with proper sized fasteners, ropes, straps, etc.

Return the ramp(s) to their stowed position(s), and secure them so that they will not move during transit.

### **4.3.1.3 LOADING A PIVOTING-DECK (TILT-BED) TRAILER**

Some open trailers are equipped with a pivoting-deck instead of with ramps. The pivoting feature allows for easier loading and unloading



The pivoting-deck trailer is fitted with a spring-loaded catch that keeps the trailer in the driving position. After the trailer is loaded and the cargo is secured with hold downs, be sure the springloaded catch has locked the trailer into “driving position.”

Couple the trailer securely to the tow vehicle before attempting to unlock the deck and load the trailer.

Unlock the deck and pivot it to the Loading position (see “Pivoting-Deck Trailer” figure). Before loading the cargo, be certain the deck catch pin is retracted.

- Be sure the trailer is on level ground, both left/right and front/back. Attempting to load on uneven ground may cause the trailer to overturn, which can result in serious injury or death.

## **Warning**

Loading a pivoting-deck trailer before retracting the deck catch pin can crack the catch pin, which can cause loss of cargo or loss of control of the trailer.

Death or serious injury may result. Before loading the trailer, retract the deck catch pin.

If the deck catch pin becomes bent, do not straighten it. Replace the deck catch pin before towing the load.

Load the cargo onto the trailer with approximately 60% of the cargo in the front half of the bed. As the cargo is moved forward on the deck, the deck will pivot down into the driving position. Extend the deck catch pin into the deck to lock the deck into the driving position (see “Pivoting-Deck Trailer” figure). Ensure that the catch engages the hole in the pivoting deck.

**⚠ Warning**

**An unlocked pivoting deck can result in loss of cargo or loss of control of the trailer, which can result in death or serious injury.**

**Before towing the trailer:**

- Lock the pivoting deck in the driving position.
- Double-check that the catch engages the hole in the pivoting deck.

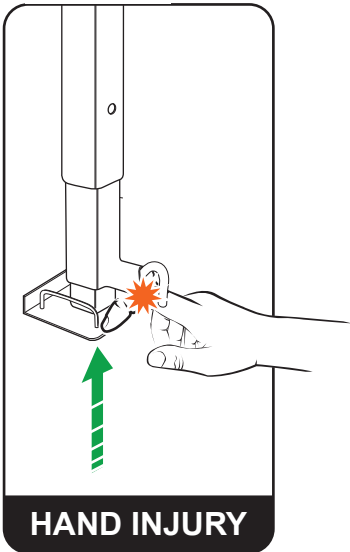
Secure the cargo onto the trailer using appropriate straps and tensioning devices. Since the trailer “ride” can be bumpy and rough, you must secure your cargo so that it does not shift while the trailer is being towed.

**⚠ Warning**

**Shifting cargo can result in loss of control of the trailer, and can lead to death or serious injury.**

**Tie down all loads with proper sized fasteners, ropes, straps, etc.**

Use caution when operating the Pivoting Deck and protect against pinching your fingers and feet.



# 5. Checking The Trailer Before And During Each Tow

---

## 5.1 PRE-TOW CHECKLIST

Before towing, double-check all of these items: See section 7.1, “Inspection, Service & Maintenance Summary Charts,” for more information.

- Tires, wheels and lug nuts (see the “Major Hazards” section starting on page 1 of this manual)
- Tire Pressure. Inflate tire on trailer and tow vehicle to the pressure stated on the VIN / Certification label.
- Coupler secured and locked (see the “Coupling and Uncoupling the Trailer” section starting on page 34 of this manual)
- Safety chains properly rigged to tow vehicle, not to hitch or ball (see the “Coupling to the Tow Vehicle” chapter starting at Page 31 of this manual)
- Test of lights: Tail, Stop, and Turn Lights
- Test trailer brakes.
- Safety breakaway switch cable fastened to tow vehicle, not to safety chains (see the “Coupling to the Tow Vehicle” chapter starting at Page 31 of this manual)
- Cargo properly loaded, balanced and tied down (see the “Loading the Trailer” chapter starting at page 53 of this manual)
- Tongue weight and weight distribution set-up.
- Doors and gates latched and secured
- Fire extinguisher
- Flares and reflectors

## 5.2 MAKE REGULAR STOPS

After each 50 miles, or one hour of towing, stop and check the following items:

- Coupler secured
- Safety chains are fastened and not dragging
- Cargo secured
- Cargo door latched and secured



Need Help?  
Call ARC Trailers  
(817) 305-7741

## 6. Breaking-in A New Trailer

### **6.1 RE-TIGHTEN LUG NUTS AT FIRST 10, 25, & 50 MILES**

Wheel lugs can shift and settle quickly after being first assembled, and must be checked after the first 10, 25 and 50 miles of driving. Failure to perform this check may result in a wheel coming loose from the trailer, causing a crash leading to death or serious injury

#### **Warning**

**Lug nuts are prone to loosen after initial installation, which can lead to death or serious injury.**

**Check lug nuts for tightness on a new trailer or when wheel(s) have been remounted after the first 10, 25 and 50 miles of driving.**

See Section 7.2.9.2 page 72 on Proper Torquing Technique

### **6.2 ADJUST BRAKE SHOES AT FIRST 200 MILES**

Brake shoes and drums experience a rapid initial wear. The brakes must be adjusted after the first 200 miles of use, and each 3,000 miles thereafter. Some axles are fitted with a mechanism that will automatically adjust the brake shoes when the trailer is “hard braked” from a rearward direction. Read your axle and brake manual to see if your brakes adjust automatically. If you do not have the axle and brake manual, call Big Tex Trailers at (903)575-0300 for a free copy.

A hard stop is used to:

- Confirm that the brakes work;
- Confirm that the trailer brakes are properly synchronized with the tow vehicle brakes using the brake controller in the tow vehicle
- Adjust the brake shoes as necessary.
- For surge brakes check the Master cylinder reservoir for fluid.

If your trailer is not fitted with automatically adjusting brakes, the brakes will need to be manually adjusted. See section 7.2.3.2, “Manually Adjusting Brake Shoes,” for instructions.

### **6.3 SYNCHRONIZING THE BRAKE SYSTEM**

Trailer brakes are designed to work in synchronization with the brakes on the tow vehicle. When the tow vehicle and trailer braking systems are synchronized, both braking systems contribute to slowing, and the tongue of the trailer will neither dive nor rise sharply.

#### **Warning**

**If trailer and tow vehicle brakes do not work properly together, death or serious injury can occur. Road test the brakes in a safe area at no more than 30 m.p.h. before each tow**

To insure safe brake performance and synchronization, read and follow the axle/brake and the brake controller manufacturers' instructions. If you do not have these instructions, call ARC Trailers at (817) 305-7741 for a free copy.

## **6.4 TIRE PRESSURE**

Check tire pressures on both the trailer and tow vehicle. Inflate to the maximum shown on the VIN /Certification Label.

# **7. Inspection, Service & Maintenance**

## **7.1 INSPECTION, SERVICE & MAINTENANCE SUMMARY CHARTS**

You must inspect, maintain and service your trailer regularly to insure safe and reliable operation. If you cannot or are unsure how to perform the items listed here, have your dealer do them.

Note: In addition to this manual, also check the relevant component manufacturer's manual.

Inspection and Services before Each Use		
Item	Inspection / Service	Manual Section Reference
Breakaway Brakes	Check operation Check fluid level	
• Electric		Sections 3.2.2.5, 3.2.3.4 & 3.2.4.3
• Hydraulic		Section 7.2.3.4
Breakaway Battery	Fully charged, connection clean	Sections 3.2.2.5, 3.2.3.4 & 3.2.4.3 Section 7.2.3.3.A.(i)
Brakes, all types	Check operation	Section 6.3
Shoes and Drums	Adjust	Section 6.2.7.2.3.2
Brakes, Hydraulic - Vacuum Actuated	Check gauge for proper vacuum of 18 inch high (inches of mercury)	Section 7.2.4.1
Coupler and Hitch Ball	Check for cracks, pits, and flats. Replace w/ball & coupler having trailer GVW Rating. Grease. Check locking device & replace.	Section 7.2.4.1
Gooseneck Ball	Check for cracks, pits, and flats. Replace w/ball & coupler having trailer GVW Rating.	Section 3.2.3.1
	Grease	Section 3.2.3.1
	Check locking device & replace when worn.	Section 7.2.4.1
Fifth Wheel & Kingpin	Check for cracks.	Section 3.2.4.1
	Grease	Section 3.2.4.1
	Check locking device & replace when worn.	Sections 3.2.4.1 & 7.2.4.3
Safety Chain(s) Hooks	Check for wear and damage	Sections 3.2.2.4 & 3.2.3.3
Tires.	Check tire pressure when cold. Inflate as needed.	Sections 5.1 & 7.2.7
Wheels - Lug Nuts (Bolts) & Hub	Check for tightness. Tighten. For new and remounted wheels, check torque after first 10, 25 & 50 miles of driving and after any impact.	Sections 5.1, Sections 5.1 & 7.2.9.2

Inspection and Services each 3 Months or 3,000 Miles		
Item	Inspection / Service	Manual Section Reference
Structure <ul style="list-style-type: none"> <li>• Rubber mats and floor</li> <li>• Hinges, Doors and dividers</li> </ul>	Remove mats. Wash both sides. Wash floor. Inspect. Repair or replace damaged worn or broken parts.	Section 7.2.3.4

Inspection and Services each 6 Months or 6,000 Miles		
Item	Inspection / Service	Manual Section Reference
Tires	Rotate @ 5,000 miles	Section 7.2.7
Brakes, electric <ul style="list-style-type: none"> <li>• Magnets</li> <li>• Controller ( in tow vehicle)</li> </ul>	Check wear and current draw Check power output (amperage) and modulation.	Section 7.2.3.3.C Section 7.2.3.3 B See Controller Mfr's Manual
Structure <ul style="list-style-type: none"> <li>• Roof Vents</li> <li>• Windows</li> </ul>	Clean dirt buildup, lubricate hinges and sides.	Section 7.2.2
Structure	Inspect tread and sidewalls thoroughly. Replace tire when treads are worn, wide sidewall has bulge, or sidewall is worn.	Section 7.2.7 Section 7.2.7

Inspection and Services each Year or 12,000 Miles		
Item	Inspection / Service	Manual Section Reference
Brakes, all types Shoes and drums	Check for scoring and wear. Replace per manufacturer's specifications.	Section 7.2.3.1 See Brake Mfr's Manual
Jack, Drop-leg	Grease gears at top	See Jack Mfr's Manual
Structure <ul style="list-style-type: none"> <li>• Frame members</li> <li>• Welds</li> <li>• Slide-out</li> </ul>	Inspect all frame members, bolts & rivets. Repair or replace damaged, worn or broken parts. Inspect all welds. Repair as needed Clean dirt build-up. Lubricate slides shafts and gears.	Section 7.2.1 Section 7.2.2.1
Wheels <ul style="list-style-type: none"> <li>• Sealed Bearings (Hubs)</li> <li>• UNSEALED Bearings (Hubs)</li> <li>• Rims</li> </ul>	Check and confirm free running. Replace if not (sealed bearings are not serviceable). Disassemble / inspect / assemble and repack Replace promptly if immersed in water. Inspect for cracks and dents. Replace as needed.	Section 7.2.9 Section 7.2.9.1 See Axle Mfr's Manual Section 7.2.8
Structure Axle Attachment Bolts	Check BY DEALER	Section 7.2.1

## **7.2 INSPECTION AND SERVICE INSTRUCTIONS**

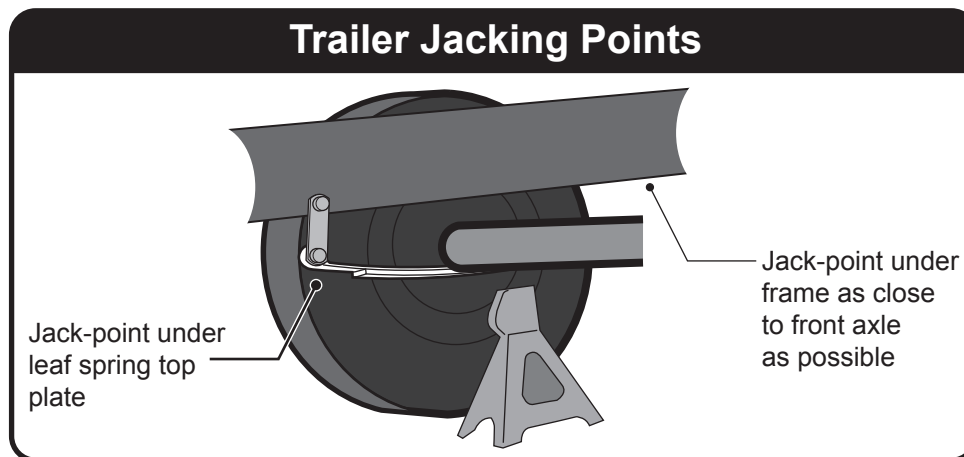
### **7.2.1 AXLE BOLTS, FRAME, SUSPENSION & STRUCTURE**

#### **! Warning**

**Worn or broken suspension parts can cause loss of control and injury may result.**

**Have trailer professionally inspected annually and after any impact.**

To perform many of the inspection and maintenance activities, you must jack up the trailer. “Jacking Points for All Trailers” figure indicates the general areas where jacks and jack stands may be applied. When jacking and using jack stands, place them so as to clear wiring, brake lines, and suspension parts (springs, torsion bars, etc.). Place jacks and jack stands inside of the perimeter strip on the supporting structure to which the axles are attached.



#### **! Warning**

**Never crawl under your trailer unless it is on firm and level ground and resting on properly placed and secured jack stands.**

### **7.2.2 TRAILER STRUCTURE**

Because the trailer floor receives the most abuse, it will most likely corrode before any other part of the structure. This is particularly true for horse and livestock trailers, having floors subjected to urine and manure. The urine and manure are corrosive to the metal flooring and other structural parts of the trailer.

Remove the rubber mats from the floor of the trailer, and wash them, at least every three months. Using a power washer and a detergent solution, wash both sides of the rubber mat, as well as the floor and walls of the trailer. Rinse the rubber mat and the trailer floor and walls. Be sure the rubber mat and trailer floor are completely dry before replacing the rubber mat.

### **7.2.2.1 WELDS**

All welds can crack or fail when subjected to heavy loads or movement of cargo that was not properly tied to prevent movement. Any time that you know or suspect that the trailer has been subjected to heavy loads or movement of cargo, immediately inspect the welds and fasteners for damage. To prevent severe damage to your trailer, inspect all of the welds for cracks or failure at least once a year.



### **7.2.3.1 BRAKE SHOES AND DRUMS**

Properly functioning brake shoes and drums are essential to ensure safety. You must have your dealer inspect these components at least once per year, or each 12,000 miles. The brake shoes must be adjusted after the first 200 miles of use, and each 3,000 miles thereafter. Most axles are fitted with a brake mechanism that will automatically adjust the brake shoes when the trailer is “hard braked” from a rearward direction. Read your axle and brake manual to see how to adjust your brakes. If you do not have this manual, call ARC Trailers at (817) 305-7741 for a free copy.

### **7.2.3.2 MANUALLY ADJUSTING BRAKE SHOES**

Some braking systems are not automatically adjusted by hard stopping. These brakes require manual adjustment. The following steps apply to adjust most manually adjustable brakes. Read your axle and brake manual to see how to adjust your brakes. If you do not have this manual, call ARC Trailers at (817) 305-7741 for a free copy.

- Jack up the trailer and secure it on adequate capacity jack stands.
- Be sure the wheel and brake drum rotate freely.
- Remove the adjusting-hole cover from the adjusting slot on the bottom of the brake backing plate.
- With a screwdriver or standard adjusting tool, rotate the starwheel of the adjuster assembly to expand the brake shoes. Adjust the brake shoes out until the pressure of the linings against the drum makes the wheel very difficult to turn. Note: Your trailer maybe equipped with drop spindle axles. See axle manual for your axle type. You will need a modified adjusting tool for adjusting the brakes in these axles. With drop spindle axles, a modified adjusting tool with about an 80 degree angle should be used.
- Rotate the starwheel in the opposite direction until the wheel turns freely with a slight drag.
- Replace the adjusting-hole cover.
- Repeat the above procedure on all brakes.
- Lower the trailer to the ground.

### **7.2.3.3 BRAKES, ELECTRIC**

Two different types of electric brakes may be present on the trailer: an emergency electric breakaway system, which acts only if the trailer comes loose from the hitch and the breakaway pin is pulled. The other brake is an electric braking system that acts whenever the brakes of the tow vehicle are applied.

#### **7.2.3.3.A BREAKAWAY BRAKE**

##### **7.2.3.3.A (i) BREAKAWAY BATTERY**

This battery supplies the power to operate the trailer brakes if the trailer uncouples from the tow vehicle. Be sure to check, maintain and replace the battery according to the battery manufacturer's instructions.

##### **7.2.3.3.A (ii) BREAKAWAY SWITCH**

This switch causes the breakaway battery to operate the electric brakes if the trailer uncouples from the tow vehicle.

The pull cable for the pull pin is connected to the tow vehicle, and the switch is connected to the trailer. To check for proper functioning of the switch, battery and brakes, you must pull the pin from the switch and confirm that the brakes apply to each wheel. You can do this by trying to pull the trailer with the tow vehicle, after pulling the pin. The trailer brakes may not lock, but you will notice that a greater force is needed to pull the trailer



#### **7.2.3.3.B TOW VEHICLE OPERATED ELECTRIC BRAKES**

The electric brakes that operate in conjunction with the tow vehicle brakes must be “synchronized” so that braking is properly distributed to the tow vehicle brakes and the trailer brakes. For proper operation and synchronization, read and follow the axle/brake and the brake controller manufacturer's instructions. If you do not have these instructions, call ARC Trailers at (817) 305-7741 for a free copy.

#### **7.2.3.3.C MAGNETS FOR ALL ELECTRIC BRAKES**

To make certain an electrically-operated braking system will function properly, you must have your dealer inspect the magnets at least once a year, or each 12,000 miles. See the brake manual for wear and current inspection instructions.

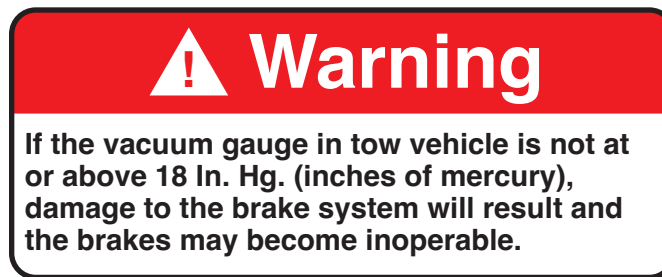
#### **7.2.3.4. BRAKES, HYDRAULIC (VACUUM, AIR OR ELECTRIC OPERATED)**

If your trailer has hydraulically-operated brakes, they function the same way the hydraulic brakes do on your tow vehicle. The hydraulic braking system must be inspected by a dealer, at least as often as the brakes on the tow vehicle, but no less than once per year. This inspection includes an assessment of the condition and proper operation of the wheel cylinders, brake shoes, brake drums and hubs.

You must check the fluid level in the master cylinder reservoir at least every three months. If you tow your trailer an average of 1,000 miles per month in a hot and dry environment, you must check the brake fluid level once a month. The brake fluid reservoir is located on the tongue of the trailer or near the gooseneck. Fill with DOT 4 brake fluid.

##### **7.2.3.4.A VACUUM-OPERATED HYDRAULIC**

When towing a trailer, the vacuum gauge, which is located inside the cab of the tow vehicle, must indicate 18 in. Hg. (inches of mercury) or more at all times.



##### **7.2.3.4.B AIR PRESSURE-OPERATED HYDRAULIC**

Air/hydraulic braking systems are typically used when the tow vehicle has a diesel engine. The tow vehicle has an air compressor that routes the air to an air/hydraulic mechanism, which sends brake fluid to the wheel cylinders.

The air pressure gauge in your tow vehicle indicates the current air pressure. See your tow vehicle manual for the proper air pressure.

##### **7.2.3.4.C ELECTRICAL-OPERATED HYDRAULIC**

Electric/hydraulic braking systems, which are mounted on the trailer, use a small electrically-driven pump to generate hydraulic pressure, which operates the brake cylinders. Like electrical brakes, an electric/hydraulic braking system is operated by an electrical signal from the tow vehicle.

## **7.2.4 TRAILER CONNECTION TO TOW VEHICLE**

### **7.2.4.1 COUPLER AND BALL**

The coupler on the trailer connects to the ball attached to the hitch on the tow vehicle. The coupler, ball and hitch transfer the towing forces between the tow vehicle and the trailer. Before each tow, coat the ball with a thin layer of automotive bearing grease to reduce wear and ensure proper operation; and check the locking device that secures the coupler to the ball for proper operation.

See the coupler manufacturer's manual for other inspection and maintenance activities. If you do not have this manual, call ARC Trailers at (817) 305-7741 for a free copy. If you see or feel evidence of wear, such as flat spots, deformations, pitting or corrosion, on the ball or coupler, immediately have your dealer inspect them to determine the proper action to prevent possible failure of the ball and coupler system. All bent or broken coupler parts must be replaced before towing the trailer.

The coupler handle lever must be able to rotate freely and automatically snap into the latched position. Oil the pivot points, sliding surfaces, and spring ends with SAE 30W motor oil. Keep the ball pocket and latch mechanism clean. Dirt or contamination can prevent proper operation of the latching mechanism.

When replacing a ball, the load rating must match or exceed the GVWR of the trailer.

### **7.2.4.2 GOOSENECK**

The gooseneck receiver on the trailer connects to a hitch-mounted ball on the towing vehicle. The receiver, ball and hitch transfer the towing forces between the tow vehicle and the trailer. Before each tow, coat the ball with a thin layer of automotive bearing grease to reduce wear and ensure proper operation; and check the locking device that secures the receiver to the ball for proper operation. See the gooseneck ball receiver manufacturer's manual for other inspection and maintenance activities. If you do not have a manual for the receiver, call ARC Trailers at (817) 305-774 1 for a free copy.

If you see or can feel evidence of wear, such as flat spots, pitting or corrosion, on the ball or receiver, immediately have your dealer inspect them to determine the proper action to prevent possible failure of the ball and receiver system.

When replacing a ball, the load rating must match or exceed the GVWR of the trailer.

### **7.2.4.3 FIFTH WHEEL KINGPIN**

Before each tow, inspect the fifth wheel and kingpin for wear, and coat the contact surface of the fifth wheel plate with water-resistant Lithium-base grease. If you see evidence of wear on the fifth wheel or kingpin, immediately have your dealer inspect them to determine the proper action to prevent failure of the fifth wheel and kingpin system.

See the manual prepared by the manufacturer of the fifth wheel and kingpin for other inspection and maintenance activities. If you do not have this manual, call ARC Trailers at (817) 305-7741 number for a free copy.

### **7.2.5 LANDING LEG OR JACK**

If a grease fitting is present, you must use a grease gun to lubricate the jack mechanism. Grease the gears in the top of hand-cranked jacks once a year, by removing the top of the jack and pumping or hand packing grease into the gears.

### **7.2.6 LIGHTS AND SIGNALS**

Before each tow, check the trailer taillights, stoplights, turn signals and any clearance lights for proper operation.



### **7.2.7 TIRES**

Trailer tires may be worn out even though they still have plenty of tread left. This is because trailer tires have to carry a lot of weight all the time, even when not in use. It is actually better for the tire to be rolling down the road than to be idle. During use, the tire releases lubricants that are beneficial to tire life. Using the trailer tires often also helps prevent flat spots from developing.

The main cause of tire failure is improper inflation. Check the cold tire inflation pressures at least once a week for proper inflation levels. "Cold" means that the tires are at the same temperature as the surrounding air, such as when the vehicle has been parked overnight. Wheel and tire manufacturers recommend adjusting the air pressure to the trailer manufacturer's recommended cold inflation pressure, in pounds per square inch (PSI) stated on the vehicle's Federal Certification Label or Tire Placard when the trailer is loaded to its gross vehicle weight rating (GVWR). If the tires are inflated to less than the recommended inflation level or the GVWR of the trailer is exceeded, the load carrying capacity of the tire could be dramatically affected. If the tires are inflated more than the recommended inflation level, handling characteristics of the tow vehicle/trailer combination could be affected. Refer to the owner's manual or talk to your dealer or vehicle manufacturer if you have any questions regarding proper inflation practices.

Tires can lose air over a period of time. In fact, tires can lose 1 to 3 PSI per month. This is because molecules of air, under pressure, weave their way from the inside of the tire, through the rubber, to the outside. A drop in tire pressure could cause the tire to become overloaded, leading to excessive heat build up. If a trailer tire is under-inflated, even for a short period of time, the tire could suffer internal damage.

High speed towing in hot conditions degrades trailer tires significantly. As heat builds up during driving, the tire's internal structure starts to breakdown, compromising the strength of the tire. It is recommended to drive at moderate speeds.

Statistics indicate the average life of a trailer tire is about five years under normal use and maintenance conditions. After three years, replacing the trailer tires with new ones should be considered, even if the tires have adequate tread depth. Some experts claim that after five years, trailer tires are considered worn out and should be replaced, even if they have had minimal or no use. This is such a general statement that it may not apply in all cases. It is best to have your tires inspected by a tire supplier to determine if your tires need to be replaced.

If you are storing your trailer for an extended period, make sure the tires are fully inflated to the maximum rated pressure and that you store them in a cool, dry place, such as a garage. Use tire covers to protect the trailer tires from the harsh effects of the sun.



### **7.2.8 RIMS**

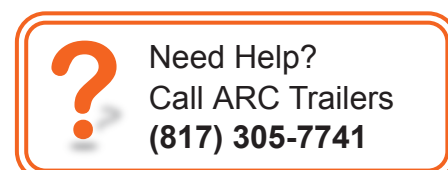
If the trailer has been struck, or impacted, on or near the wheels, or if the trailer has struck a curb, inspect the rims for damage (i.e. being out of round); and replace any damaged wheel. Inspect the wheels for damage every year, even if no obvious impact has occurred.

### **7.2.9 WHEELS, BEARINGS AND LUG NUTS**

A loose, worn or damaged wheel bearing is the most common cause of brakes that grab.

To check your bearings, jack trailer and check wheels for side-to-side looseness. If the wheels are loose, or spin with a wobble, the bearings must be serviced or replaced.

Most trailer axles are built with sealed bearings that are not serviceable. Sealed bearings must be replaced as complete units..

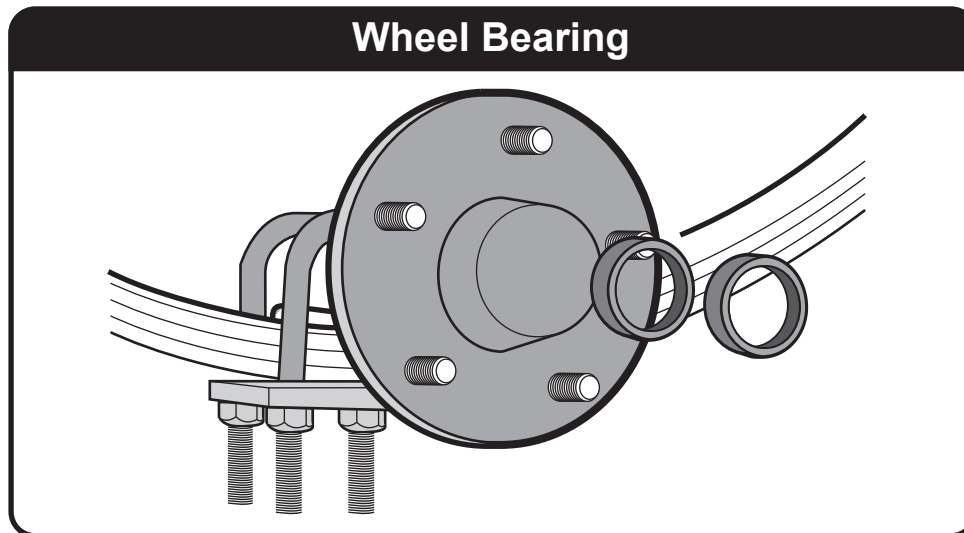


### **7.2.9.1 UNSEALED BEARINGS (HUBS)**

If your trailer has unsealed axle bearings, they must be inspected and lubricated once a year or 12,000 miles to insure safe operation of your trailer.

If a trailer wheel bearing is immersed in water, it must be replaced.

If your trailer has not been used for an extended amount of time, have the bearings inspected and packed more frequently, at least every six months and prior to use.



Follow the steps below to disassemble and service the UNSEALED wheel bearings.

- After removing the grease cap, cotter pin, spindle nut and spindle washer (items 7-10 in “Exploded Wheel Bearing” figure), remove the hub and drum to inspect the bearings for wear and damage.
- Replace bearings that have flat spots on rollers, broken roller cages, rust or pitting. Always replace bearings and cups in sets. The inner and outer bearings are to be replaced at the same time.
- Replace seals that have nicks, tears or wear.
- Lubricate the bearings with a high quality EP-2 automotive wheel bearing grease.

Every time the wheel hub is removed and the bearings are reassembled, follow the steps below to check the wheel bearings for free running and adjust.

- Turn the hub slowly, by hand, while tightening the spindle nut, until you can no longer turn the hub by hand.
- Loosen the spindle nut just until you are able to turn it (the spindle nut) by hand. Do not turn the hub while the spindle nut is loose.
- Put a new cotter pin through the spindle nut and axle.
- Check the adjustments. Both the hub and the spindle nut should be able to move freely (the spindle nut motion will be limited by the cotter pin).

### **7.2.8 RIMS**

If the trailer has been struck, or impacted, on or near the wheels, or if the trailer has struck a curb, inspect the rims for damage (i.e. being out of round); and replace any damaged wheel. Inspect the wheels for damage every year, even if no obvious impact has occurred.

### **7.2.9.2 LUG NUTS (BOLTS)**

Being sure wheel mounting nuts (lug nuts) on trailer wheels are tight and properly torqued is an important responsibility that trailer owners and users need to be familiar with and practice. Inadequate and/or inappropriate wheel nut torque (tightness) is a major reason that lug nuts loosen in service. Loose lug nuts can rapidly lead to a wheel separation with potentially serious safety consequences.

Lug nuts are prone to loosen right after a wheel is mounted to a hub. When driving on a new or remounted wheel, check the lug nut tightness often during the first few hundred miles of the trailer's use, especially after the first 10, 25 and 50 miles of driving, before each tow, and at least twice per year thereafter.

#### **Warning**

**Lug nuts are prone to loosen after initial installation, which can lead to death or serious injury.**

**Check lug nuts for tightness on a new trailer or when wheel(s) have been remounted after the first 10, 25 and 50 miles of driving.**

#### **Warning**

**Metal creep between the wheel rim and lug nuts will cause rim to loosen and could result in a wheel coming off, leading to death or serious injury.**

**Tighten lug nuts before each tow.**

Tighten the lug nuts to the proper torque for the axle size on your trailer to prevent wheels from coming loose. Use a torque wrench to tighten the fasteners. The only way to be certain you have checked the torque or torqued the lug nuts to the proper torque is with a torque wrench. Fourway wrenches, ratchets, and similar tools can be useful for short-term emergency repairs, but are not appropriate tools for adequately checking lug nut torque. You must use a torque wrench to adequately indicate the torque that you are applying to the lug nut. If you do not have a torque wrench, tighten the fasteners with a lug wrench as much as you can, then have a service garage or dealer tighten the lug nuts to the proper torque. Over-tightening will result in breaking the studs or permanently deforming the mounting stud holes in the wheels.

Keep a record of the date and approximate mileage when you check the lug nut torque. Note any lug nut that has lost torque. Investigate the reason(s) if the lug nut torque is not maintained after more than one re-torque application, because this indicates there is something wrong with the lug nuts, nut studs, wheels and/or hubs and should be corrected.

Contact your dealer or vehicle manufacturer immediately if you experience any persistent lug nut loosening or any other lug, wheel or axle problems.

In the event of a wheel separation incident, notify the vehicle manufacturer and dealer. Seek prompt professional assistance in assessing the trailer and its gear, and retain, but don't re-use involved lugs, wheels and studs. Don't repair or service the trailer yourself. Call a trained technician.

## **ARC Trailers - Limited Warranty 3 Year Structural / 1 Year Component**

This Limited Warranty applies to all trailers manufactured by ARC Trailers and sold under the ARC Trailers brand as new (the "Product") and extends only to the consumer who originally purchased the Product (the "Customer").

### **1. LIMITED MANUFACTURER'S WARRANTY**

- A. Subject to the limitations, warranty claim procedures, and exclusions set forth in Sections 1 through 7 below, arc trailers warrants that each product will be free of Significant manufacturer defect(s) for a period of one (1) year from date of purchase (The "warranty period"), providing that the following conditions are met and satisfied (The "warranty"). Arc trailers' responsibility for defective goods is limited to repair Or replacement of the product. This limited warranty gives the customer specific Legal rights and the customer may also have other rights, which vary from state to state.
- B. This Warranty policy covers the main frame from manufacturer defect(s) for 3 years from date of purchase, and any non-wear items (ex. ramps, crossmembers, railings) for 1 year (the "Warranty Period"). Normal wear items will not be replaced due to wear. These normal wear items include but are not limited to flooring, paint, brake lining(s), bearings and hoses. All auxiliary parts such as brakes, calipers, jacks, wheels, bearings, tires, suspension, lights, hydraulic dump cylinder and controls are covered by the warranty of their manufacturer.
- C. The Warranty Period is not extended in the event ARC Trailers repairs or replaces any Product. This Warranty (i) is not transferrable to any person or entity other than the original purchaser; (ii) does not extend to any subsequent owner or transferee of any covered Product; and (iii) does not apply to any product or good of ARC Trailers that is not new.

### **2. WARRANTY VOID**

ARC Trailers is not responsible for damage caused by accident, negligence, abuse, misapplication, or misuse of any Product or any of its component parts. Loading in excess of the gross vehicle load rating stated on the certificate plate will invalidate any and all warranties. Any modifications, alterations, or repair to any Product manufactured by ARC Trailers without ARC Trailers' prior knowledge and written consent will void manufacturer's warranty.

### **3. TRANSPORTATION COSTS EXCLUDED**

Transportation of any Product to and/or from an Authorized Dealer, or an approved repair facility shall be the responsibility of the Customer. ARC Trailers shall not be held responsible for any such costs.

#### **4. DISCLAIMERS; WAIVER OF CONSEQUENTIAL DAMAGES; LIMITATION OF LIABILITY**

The sole responsibility of ARC Trailers under this Limited Warranty shall be to repair and replace parts at an authorized ARC Trailers dealer ("Authorized Dealer"). ARC Trailers will not reimburse Customer for any adjustment or repair of an ARC Trailer Product without prior written approval of such work by ARC Trailers. Any repairs performed at a location other than an Authorized Dealer are not covered by this Limited Warranty unless ARC Trailers approves such repairs in writing prior to such work being performed.

- A. To the fullest extent permitted by applicable law, this warranty is expressly given In lieu of all other warranties and representations, whether express or implied by Law, course of dealing, course of performance, usage of trade or otherwise, Including, without limitation, any warranties of merchantability, non-infringement or Fitness for a particular purpose, said warranties being expressly disclaimed by arc Trailers. To the extent such warranties cannot be disclaimed under applicable law, Arc trailers limits the duration and remedies of such warranties to the warranty Period of this express limited warranty, and the remedies available pursuant to this Express limited warranty. Some states do not allow disclaimers of implied warranties, So this disclaimer may not apply to you, the customer. No one, including authorized Dealers of arc trailers, is authorized to make further or additional warranties on Behalf of arc trailers
- B. To the fullest extent permitted by applicable law, in no event shall ARC trailers be Liable to the customer or any third party for any consequential, indirect, incidental, Special, exemplary, contingent or punitive damages whether arising out of this Warranty, breach of contract, tort (including negligence) or otherwise, including, but Not limited to, any incidental or consequential damages resulting from loss of use, Inconvenience, loss of time, commercial loss, or any other type of damages, specific and general, foreseen or unforeseen, and regardless of whether such damages were foreseeable and whether or not arc trailers has been advised of the possibility of such damages, and notwithstanding the failure of any agreed or other remedy of its essential purpose. Some states do not allow the exclusion or limitation of incidental or consequential damages, so the above limitation or exclusion may not apply to you, the customer.
- C. In no event shall arc trailers' aggregate liability arising out of or related to the Terms hereof and the warranty, whether arising out of or related to breach of warranty, Breach of contract, tort (including negligence) or otherwise, exceed the total amounts paid to arc trailers for the applicable portion of the product giving rise to such claim.

#### **5. REQUIRED WARRANTY CLAIM PROCEDURE**

- A. Within fourteen (14) days after discovering a problem with your ARC Trailer Product, return the Product for inspection to the Authorized Dealer where you purchased your trailer or another Authorized Dealer.
- B. If the Dealer cannot repair the problem free of charge and you want to file a claim under this warranty, Customer must direct the Authorized Dealer to send to ARC Trailer, by email to [warranty@ARCTrailers.com](mailto:warranty@ARCTrailers.com) a warranty claim containing all the following required information within ten (10) days of the date of the Authorized Dealer's inspection of the Product:
  - a. Customer's Name, Address, Phone Number and Email Address;
  - b. Authorized Dealer's Name, Address, and Phone Number;
  - c. Authorized Dealer Representative Name, Address, Phone Number and Email Address;
  - d. Product VIN and Model Name;
  - e. Date Customer purchased the Product subject to the claim;
  - f. Description of the claimed defect forming the basis of the claim; and
  - g. Description of work required to address the claimed defect.

- C. ARC Trailers will acknowledge receipt of a claim by email to the Authorized Dealer (the “Response”). ARC Trailers will respond to a claim not later than thirty (30) days after receipt of the claim.
- D. In the event ARC Trailers agrees to replace a defective part of any Product for which a claim has been made under this Limited Warranty, ARC Trailers' Response will direct the Customer to deliver any such defective part(s) to an Authorized Dealer. In order to qualify the claimant for replacement or reimbursement under this Limited Warranty, delivery of such defective part(s) must be made to an Authorized Dealer by hand delivered or by prepaid freight, and must be accompanied by any documentation identified in ARC Trailers' Response. Any defective parts must be returned to an Authorized Dealer WITHIN THIRTY (30) DAYS OF THE DATE OF THE RESPONSE TO QUALIFY FOR REIMBURSEMENT.
- E. In the event ARC Trailers agrees to repair a Product or any part thereof, such work must be performed by an Authorized Dealer, or such other service provider as ARC Trailers may, in its sole discretion, authorize in writing to perform the warranty work prior to the performance of such work. ARC Trailers shall not be obligated to reimburse Customer for any repair of an ARC Trailer Product without prior written approval of such work by ARC Trailers. Any repairs performed at a location other than an Authorized Dealer are not covered by this Limited Warranty unless ARC Trailers approves such repairs in writing prior to such work being performed.
- F. ARC Trailers may require photos or other documentation of defective part(s) or require the actual defective part(s) be provided to ARC Trailers, before payment will be made. Such requirements, if any, will be included in the Response or other communication regarding the warranty claim.

#### **6. DISCLAIMER OF RELIANCE.**

By purchasing the Product and accepting this Limited Warranty, Customer warrants and represents that no promise, agreement, representation, inducement, or condition which is not expressly stated in this Limited Warranty has been made to the Customer by ARC Trailers or any agent or representative of ARC Trailers, in relation to the purchase of the Product. Customer further warrants and represents it is not relying upon, and expressly disclaims, any such promise, agreement, representation, inducement, or condition which is not expressly stated herein in purchasing the Product. Customer represents and warrants that it is relying solely upon its own judgment in purchasing the Product.



Need Help?  
Call ARC Trailers  
**(817) 305-7741**

## SAFETY WARNING LABEL LOCATION GUIDES

Locate your specific type of trailer in the following diagrams and use the numbered callouts to locate where the warning stickers are located

### BDS - Bumper Pull Deckover



① Vin Number

④ Hitch Label

⑥ Warning - Hitch Connection 1

⑧ Warning - Safety Chains

⑫ Warning - Wheel Bearing Service

⑬ Warning - Tire Inflation

## BDT - Bumper Pull Dump Telescopic



① Vin Number

④ Hitch Label

⑥ Warning - Hitch Connection 1

⑧ Warning - Safety Chains

⑫ Warning - Wheel Bearing Service

⑬ Warning - Tire Inflation

## BDZ - Bumper Pull Dump Scissor Lift



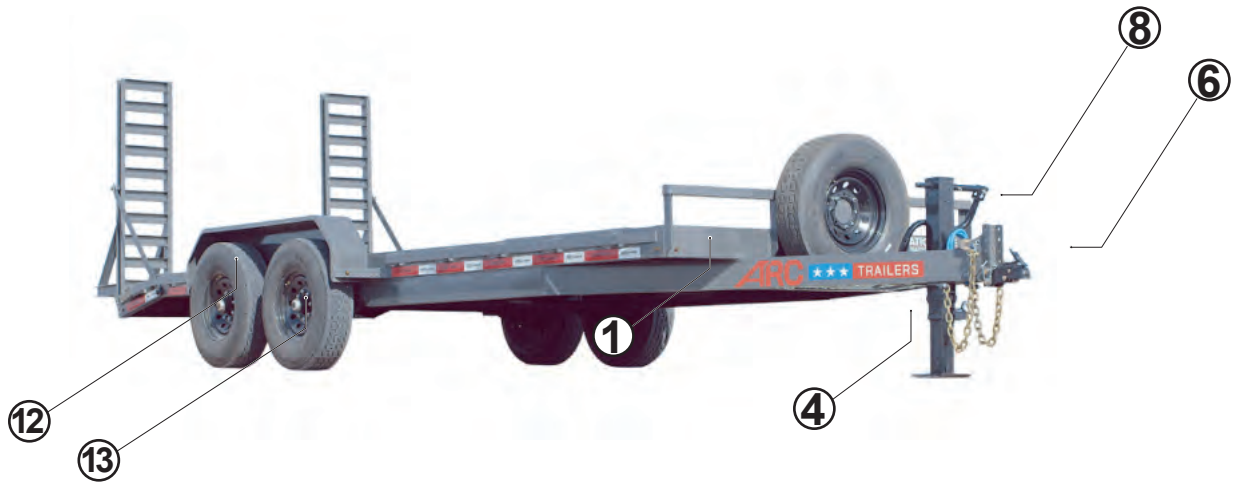
① Vin Number

④ Hitch Label

⑫ Warning - Wheel Bearing Service

⑬ Warning - Tire Inflation

## BEG - Bumper Pull Equipment



① Vin Number

④ Hitch Label

⑥ Warning - Hitch Connection 1

⑧ Warning - Safety Chains

⑫ Warning - Wheel Bearing Service

⑬ Warning - Tire Inflation

## BEQ - Bumper Pull Equipment Heavy Duty



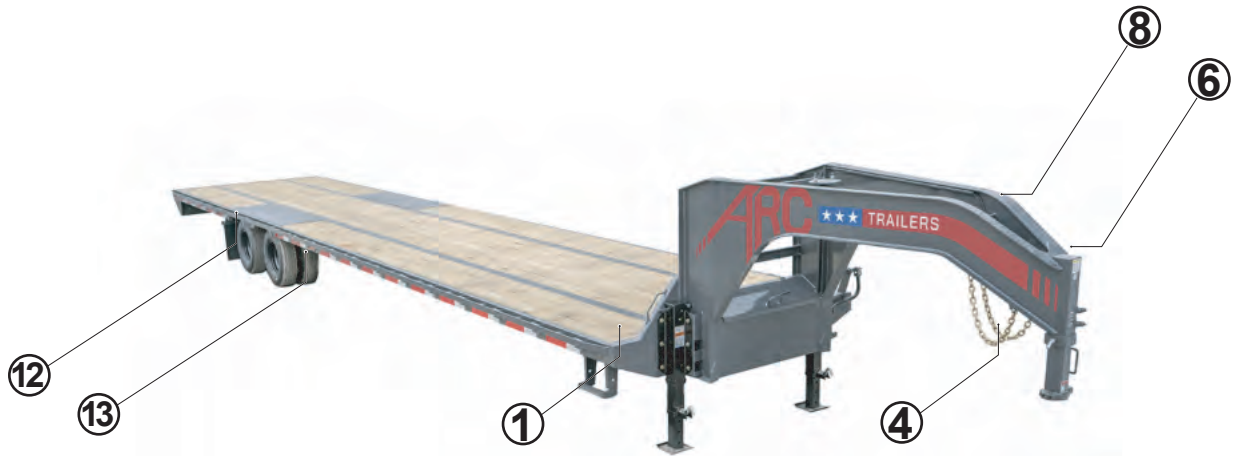
① Vin Number

④ Hitch Label

⑫ Warning - Wheel Bearing Service

⑬ Warning - Tire Inflation

## GDD - Gooseneck Flatbed Dually 20K / 24K



① Vin Number

④ Hitch Label

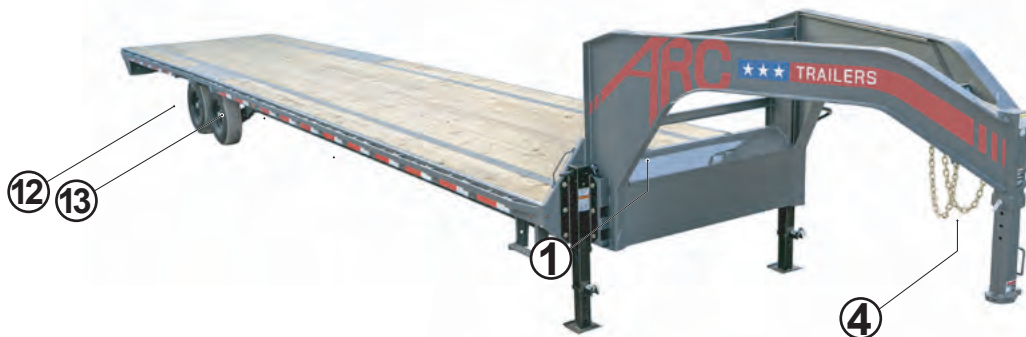
⑥ Warning - Hitch Connection 1

⑧ Warning - Safety Chains

⑫ Warning - Wheel Bearing Service

⑬ Warning - Tire Inflation

## GDS - Gooseneck Flatbed Singles



① Vin Number

④ Hitch Label

⑫ Warning - Wheel Bearing Service

⑬ Warning - Tire Inflation

## GDT - Gooseneck Dump Telescopic



① Vin Number

④ Hitch Label

⑥ Warning - Hitch Connection 1

⑧ Warning - Safety Chains

⑫ Warning - Wheel Bearing Service

⑬ Warning - Tire Inflation

## GRD - Gooseneck Roll Off Dump



① Vin Number

④ Hitch Label

⑫ Warning - Wheel Bearing Service

⑬ Warning - Tire Inflation

## GRX - Gooseneck Roll Off Dump 20K



① Vin Number

④ Hitch Label

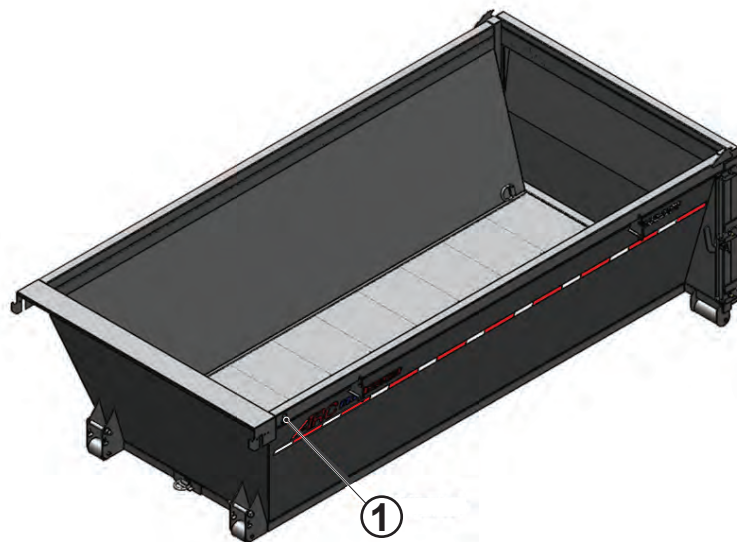
⑥ Warning - Hitch Connection 1

⑧ Warning - Safety Chains

⑫ Warning - Wheel Bearing Service

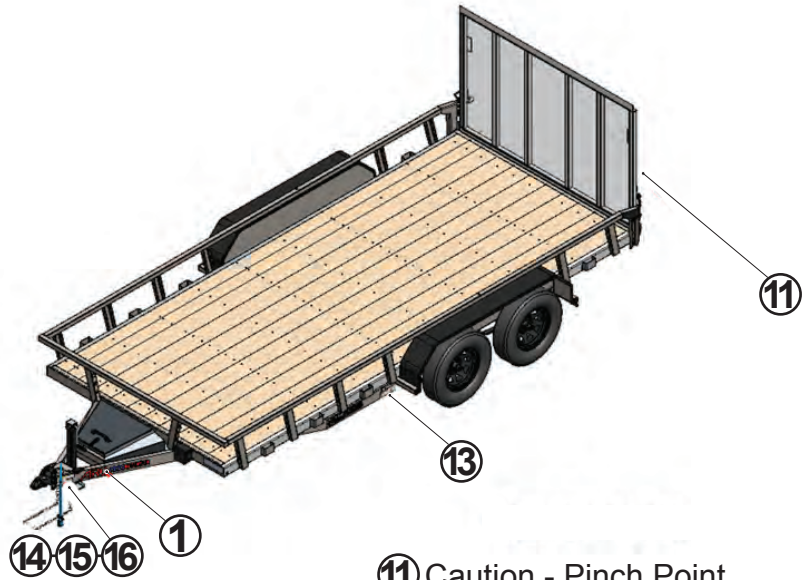
⑬ Warning - Tire Inflation

## MDB - Multi-Purpose Dumpster Bin



① Vin Number

## BUS - Bumper Pull Utility



① Vin Number

⑭ Caution - Vehicle Weight Rating

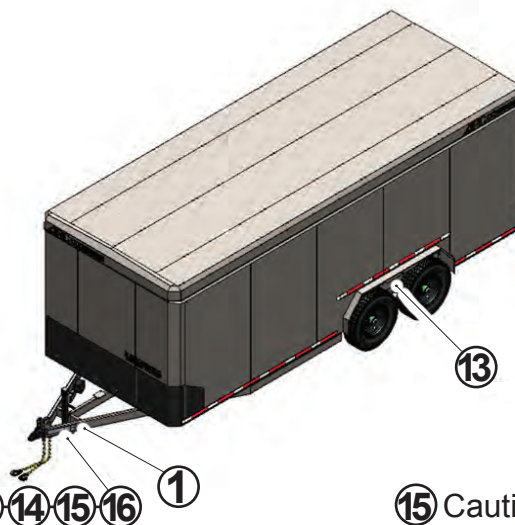
⑮ Caution - Breakaway Kit Use

⑯ Warning - Coupler Bolts and Pins

⑪ Caution - Pinch Point

⑬ Warning - Tire Inflation

## BCS - Bumper Pull Cargo - Steel



① Vin Number

③ Warning - Before Towing Checklist

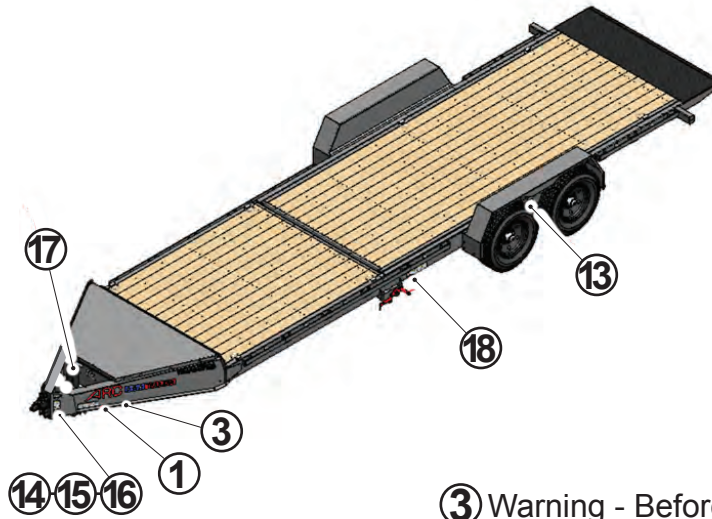
⑭ Caution - Vehicle Weight Rating

⑮ Caution - Breakaway Kit Use

⑯ Warning - Coupler Bolts and Pins

⑬ Warning - Wheel Bearing Service

## BTS - Bumper Pull Tilt Trailer Standard Width



① Vin Number

⑭ ⑮ ⑯

⑭ Caution - Vehicle Weight Rating

⑮ Caution - Breakaway Kit Use

⑯ Warning - Coupler Bolts and Pins

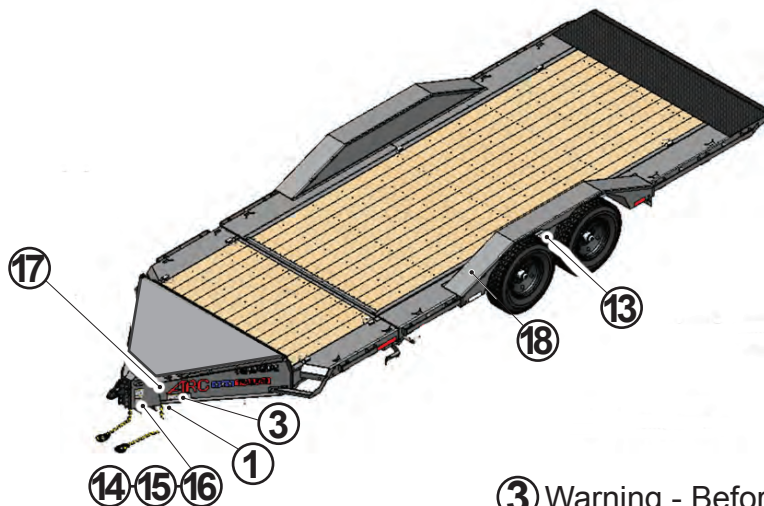
③ Warning - Before Towing Checklist

⑬ Warning - Tire Inflation

⑰ Warning - Trailer Jack

⑱ Caution - Control Valve Adjustment

## BTW - Bumper Pull Tilt Trailer - Wide Width



① Vin Number

⑭ ⑮ ⑯

⑭ Caution - Vehicle Weight Rating

⑮ Caution - Breakaway Kit Use

⑯ Warning - Coupler Bolts and Pins

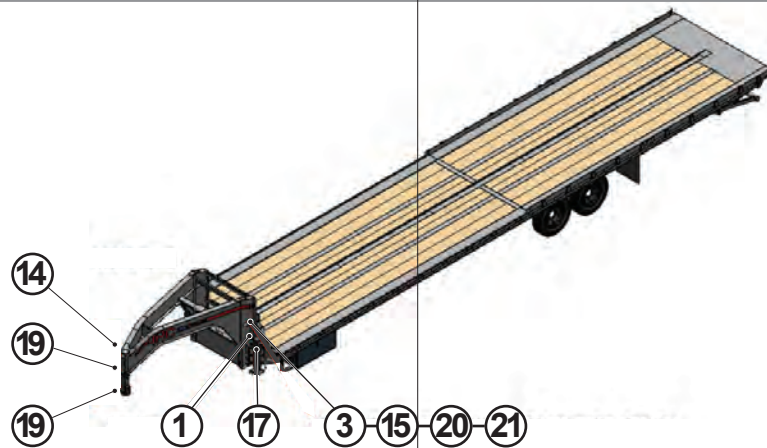
③ Warning - Before Towing Checklist

⑬ Warning - Tire Inflation

⑰ Warning - Trailer Jack

⑱ Caution - Control Valve Adjustment

## GCT - Gooseneck Container Hauler Tilt



① Vin Number

⑭ Caution - Vehicle Weight Rating

⑰ Warning - Trailer Jack

⑲ Warning - Avoid Serious Injury or Death

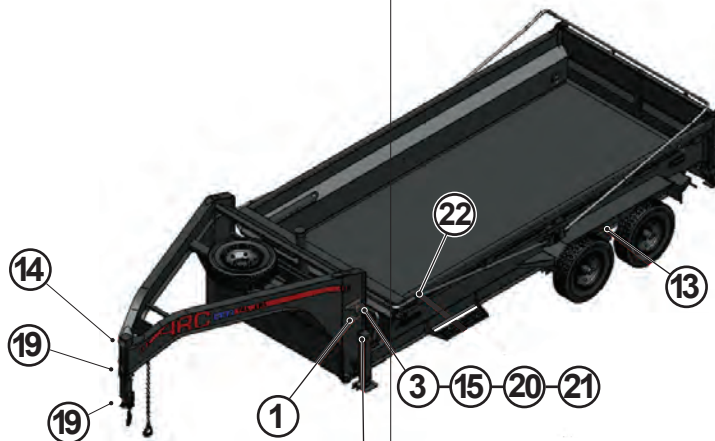
③ Warning - Before Towing Checklist

⑮ Caution - Breakaway Kit Use

⑳ Caution - Safety and Care Instructions

㉑ Important - Owner's Manual

## GDM - Gooseneck Dump Telescopic 20K



① Vin Number

③ Warning - Before Towing Checklist

⑭ Caution - Vehicle Weight Rating

⑰ Warning - Trailer Jack

⑲ Warning - Avoid Serious Injury or Death

⑬ Warning - Tire Inflation

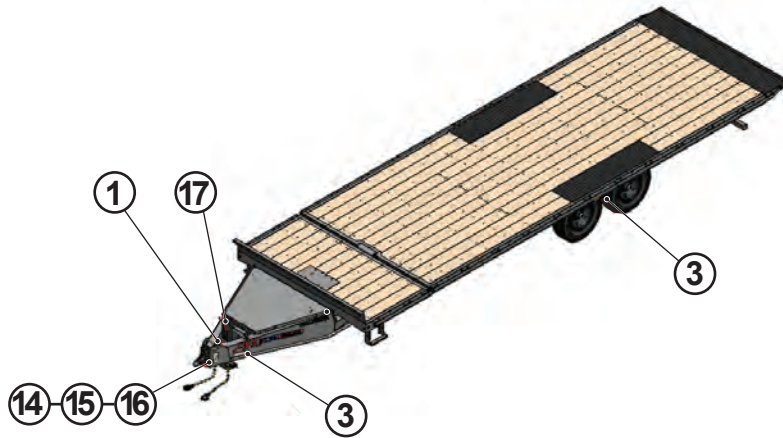
⑮ Caution - Breakaway Kit Use

⑳ Caution - Safety and Care Instructions

㉑ Important - Owner's Manual

㉒ Caution - Operation of Tarp

## BTD - Bumper Pull Tilt Deck



① Vin Number

⑭ Caution - Vehicle Weight Rating

⑮ Caution - Breakaway Kit Use

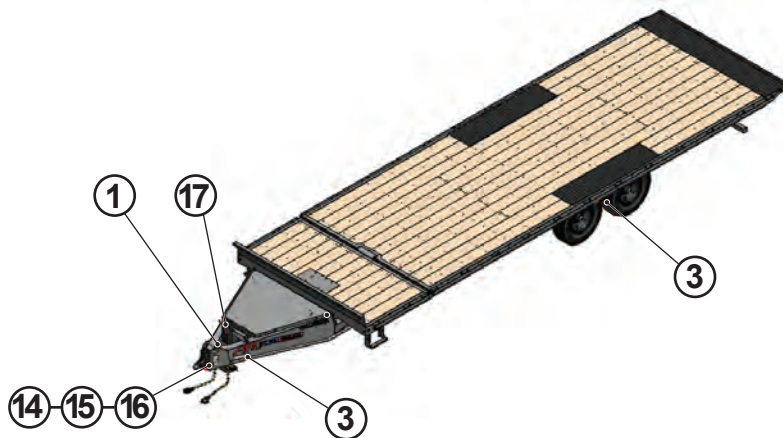
⑯ Warning - Coupler Bolts and Pins

③ Warning - Before Towing Checklist

⑬ Warning - Tire Inflation

⑰ Warning - Trailer Jack

## BEW - Bumper Pull Equipment - Wide Width



① Vin Number

⑭ Caution - Vehicle Weight Rating

⑮ Caution - Breakaway Kit Use

⑯ Warning - Coupler Bolts and Pins

③ Warning - Before Towing Checklist

⑬ Warning - Tire Inflation

⑰ Warning - Trailer Jack



# ARC

★★★★ TRAILERS  
OWNER'S MANUAL



You must read, follow and **understand all safety** precautions and instructions.  
Please call ARC Trailers at **(817) 305-7741** with questions.